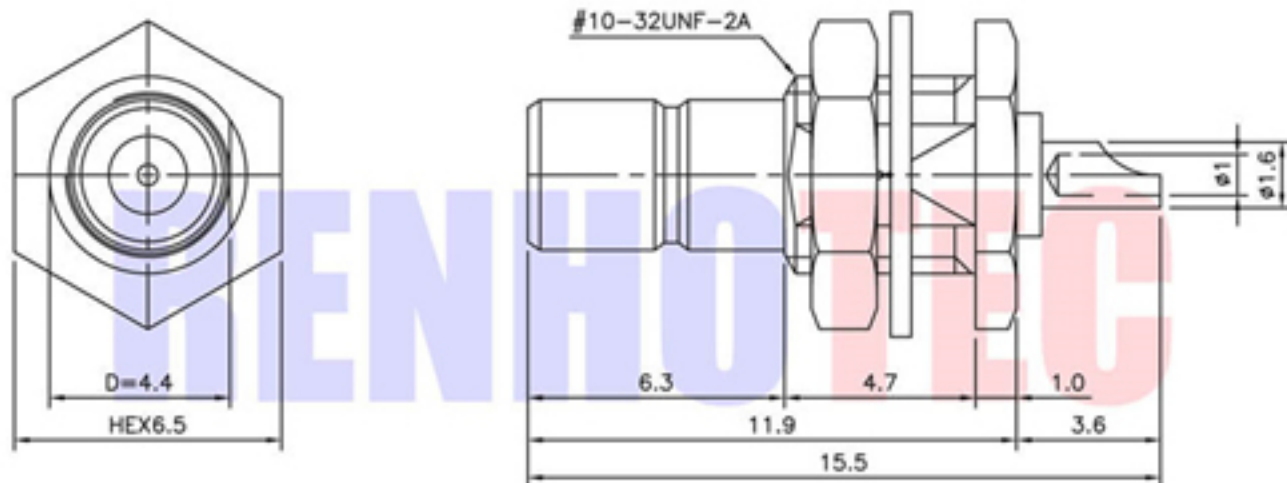




Product NO.	Renhotec-626-0224			
REV	DESCRIPTION	DWN	DATE	APPROVEN
A	First Issue	Mr. Wang	2017/3/6	John kine



Connector parts	Materials	Finish
Body,Nut,Washer	Brass	Gold Plated
Center contact	Brass	Gold Plated
Insulator	PTFE	-

SMB Bulkhead Receptacle
Rear Mount-JACK (Solder pot)

NOTE:		Tolerance	0-6	±0.10	RENHOTEC GROUP www.renhotec.com
DRAWN Zelin. Zhang			6-30	±0.20	
2017/3/6		View	30-120	±0.30	Name: SMB Bulkhead Receptacle Rear Mount Jack
CHECKED			Angular	±2°	
APPROVALS John Kine		UNIT	MM		SIZE A
2017/3/6		SCALE	1:1		Product NO. RHT-626-0224
			DateTime 2017/3/6	CAD FILE D:/company drawings/BD	REV B
					SHEET: 1 OF 1