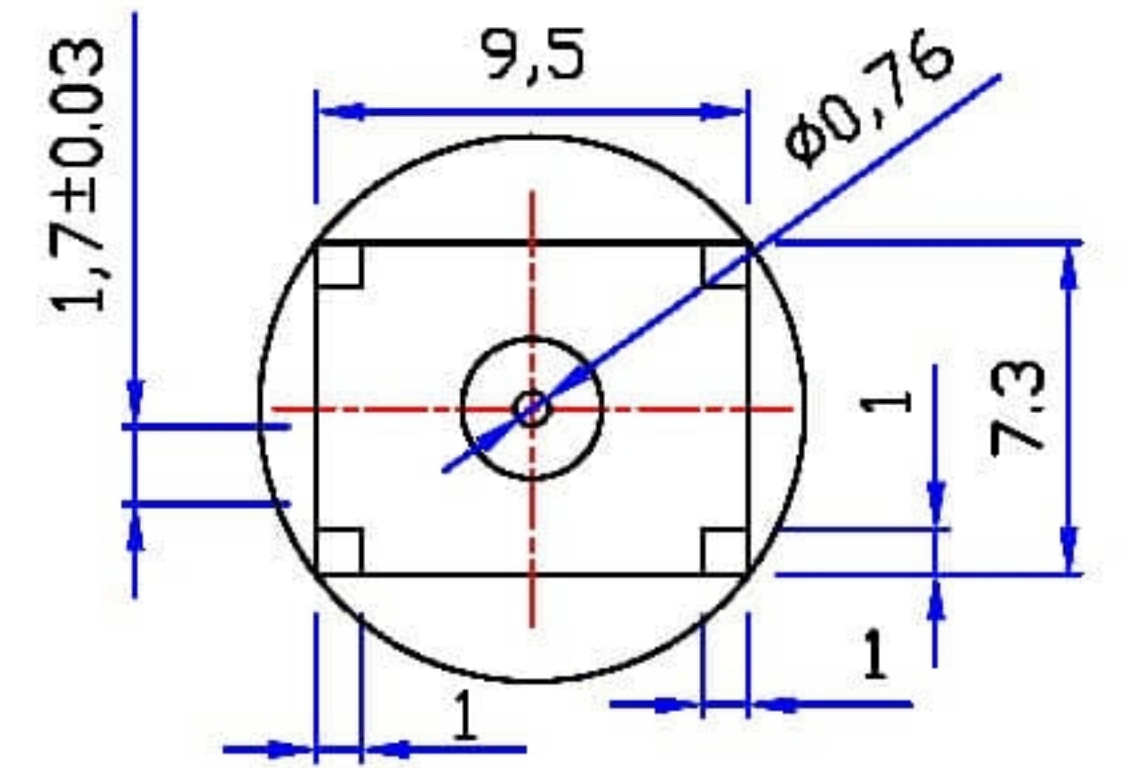
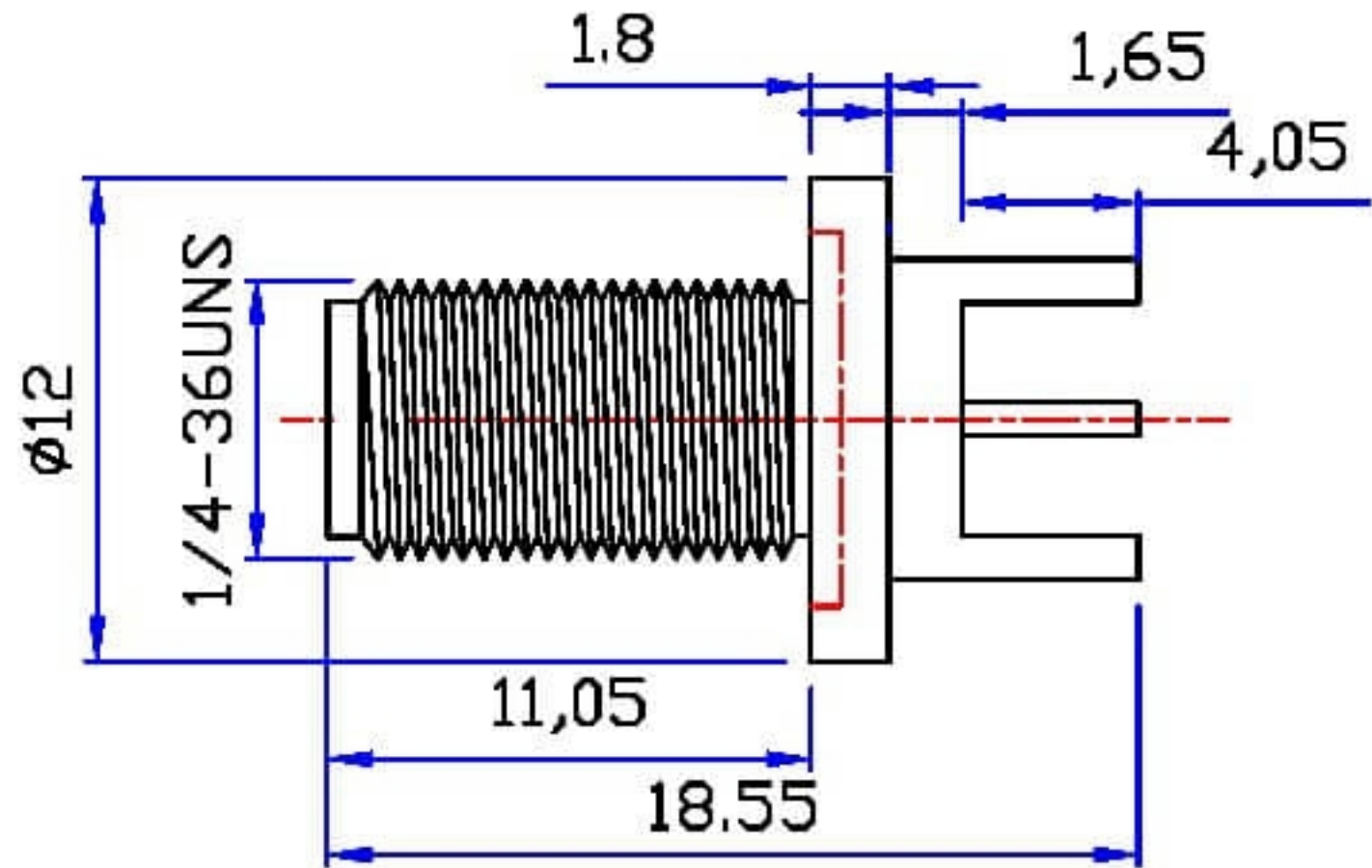


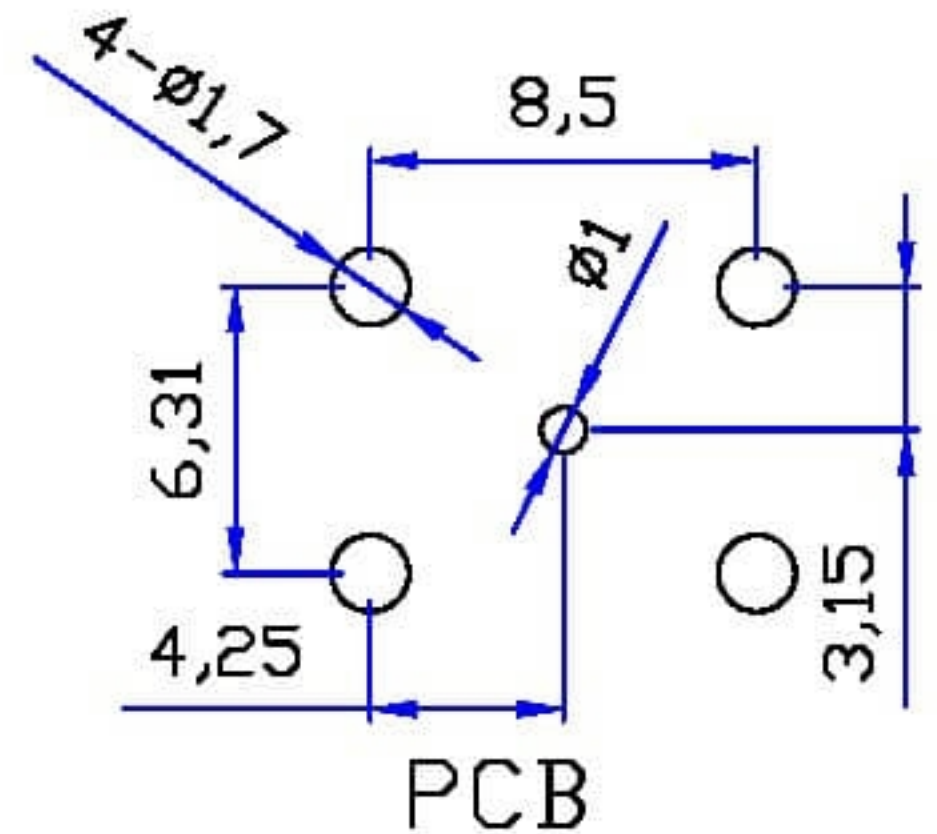
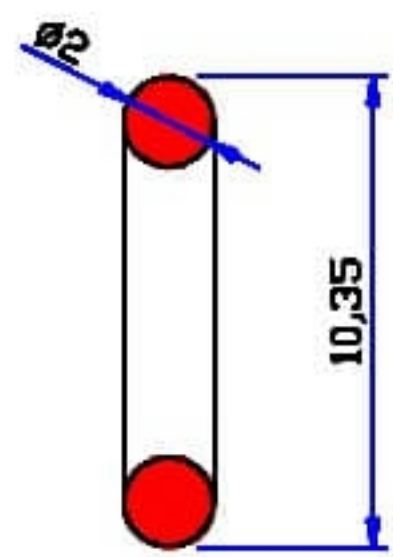
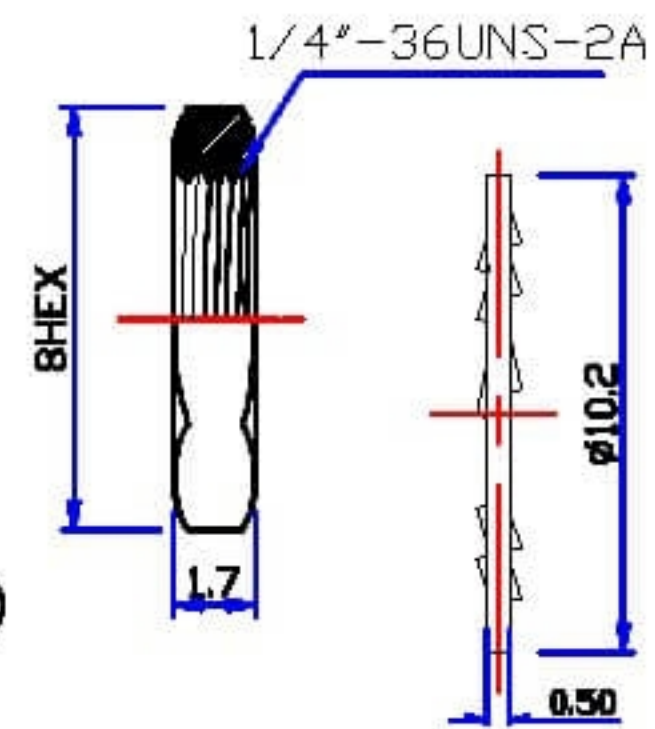


Product NO.		RHT-612-0326		
REV	DESCRIPTION	DWN	DATE	APPROVEN
A	First issue	SAM	2016/10/07	JIM KING



**Specifications:**

IMPEDANCE: 50 Ohms  
 Frequency range: 0~6GHZ  
 VSWR: 1.5MAX  
 Working voltage: 500V rms @ sea level  
 Insulation resistance: 5000 Ohms min  
 Temperature range: -65°C TO +165°C  
 Relative temperature: ≤95% (4Q° C ± 2° C)



1	Body	Brass	GOLD
2	Insulator	TEFLON	White
3	Center contact	Phosphor	GOLD
4	Washer	Brass	GOLD
5	Nut	Brass	GOLD
6	O ring	The silicone	RED
NO	Component Number	Material	Finish

-TOLERANCES- UNLESS OTHERWISE SPECIFIED

**RENHOTECH** **RENHOTECH GROUP**  
www.renhotech.com

Title: SMA JACK CONNECTOR

P/N: RHT-612-0326

0. ±15	0.° ±30°	Appd:	Date	Scale	Unit	Type	Page
0.0 ±10	0.0° ±25°	Check:	2016.10.07	Free	MM	Z	1/1
0.00 ±0.05	0.00° ±2.0°	Draw:					

Xiong Tan  
Dwen