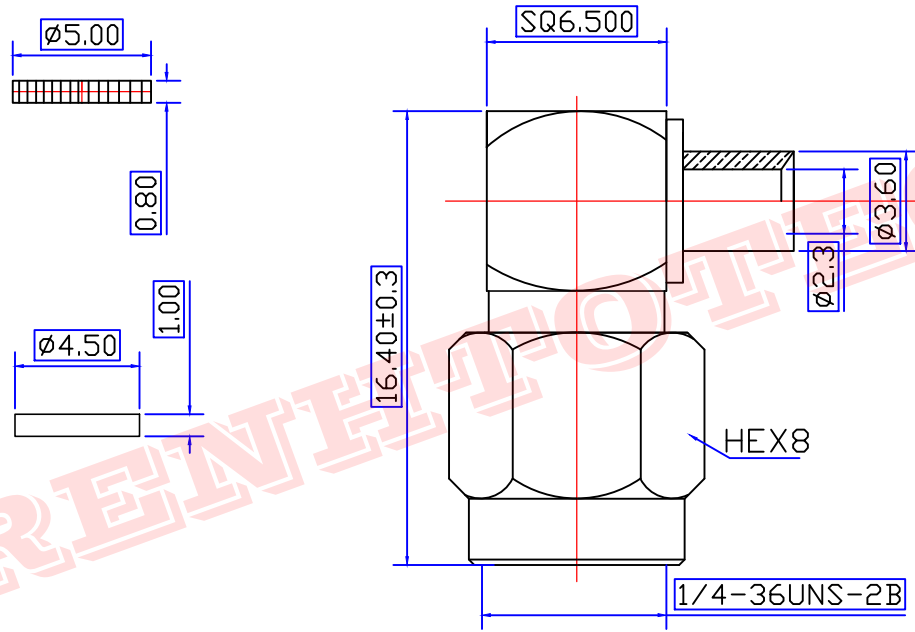




Product NO.	RHT-612-0312			
REV	DESCRIPTION	DWN	DATE	APPROVEN
A	First issue	Mr:chen	2017//13	John kine



Specifications:

IMPEDANCE: 50 Ohms
 Frequency range: 0~6GHZ
 VSWR: 1.5MAX
 Working voltage: 500V rms @ sea level
 Insulation resistance: 5000 Ohms min
 Temperature range: -55°C TO +155°C
 Relative temperature: ≤95% (40° C ± 2° C)

1	Shell	Brass	AU:1-3u"	NOTE:	Tolerance	0-6	±0.10	RENHOTEC GROUP www.renhotec.com
2	Body	Brass	AU:1-3u"			6-30	±0.20	
3	Insulator	TEFLON	None			30-120	±0.30	
4					Angular	±2°		
5				DRAWN	View		Name: SMA JWB2	
6				Zelin.chen				2017/02/13
7				CHECKED	UNIT	MM	SIZE A	
8					SCALE	1:1	Product NO. RHT-612-0312	
9				APPROVALS			REV a	
10				John			DateTime 2017/2/13	
NO	Component Number	Material	Finish	John	13/02.2017	CAD FILE	D/company drawings/BD	
1				Kine			SHEET: 1 OF 1	