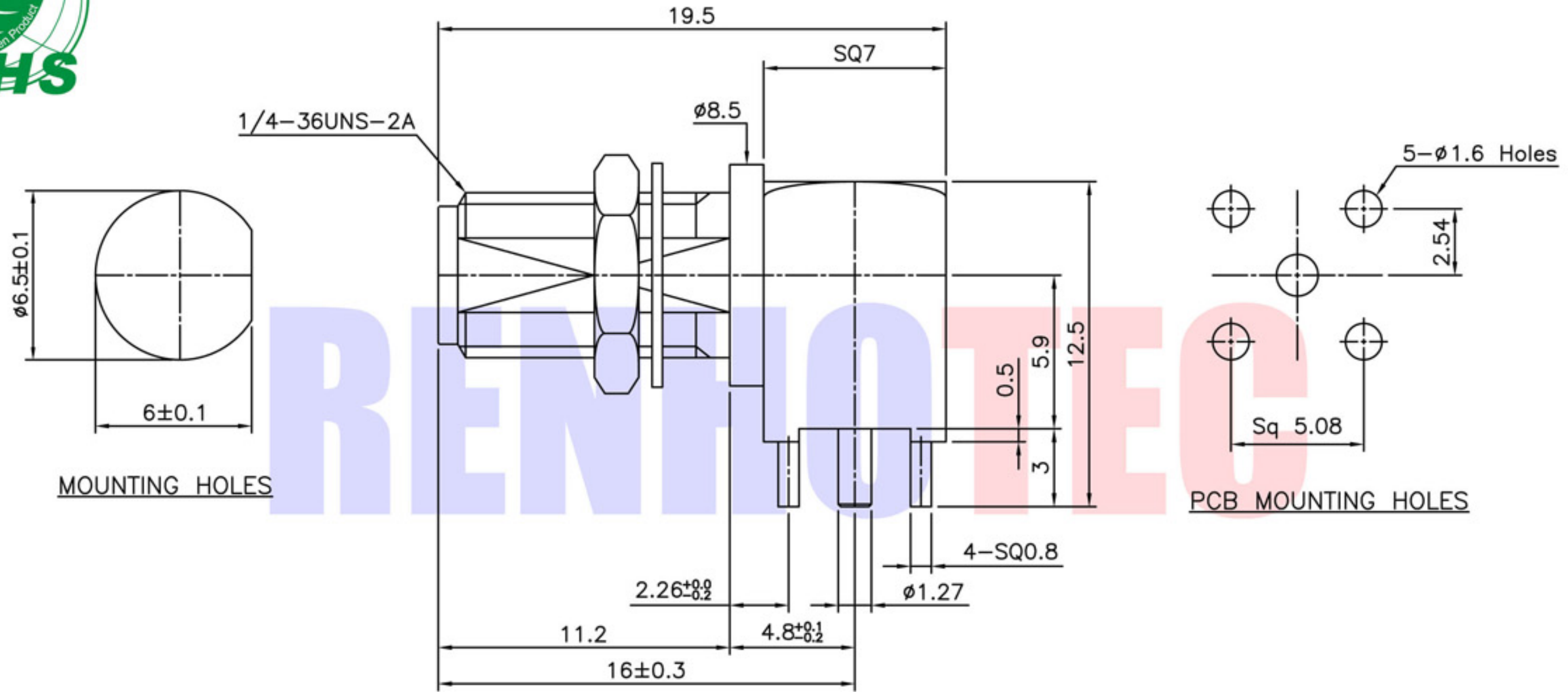




Product NO.	Renhotec-612-0282			
REV	DESCRIPTION	DWN	DATE	APPROVEN
A	First issue	Mr. Wang	2017/3/6	John kine



Connector parts	Materials	Finish
Body	Brass	Gold Plated
Center contact	Beryllium copper	Gold Plated
	Brass	Gold Plated
Nut,Washer	Brass	Gold Plated
Insulator	PTFE	

NOTE:		Tolerance	0-6	±0.10
DRAWN Zelin. Zhang 2017/3/6			6-30	±0.20
CHECKED		View	30-120	±0.30
APPROVALS John Kine 2017/3/6			Angular	±2°
		UNIT	MM	
		SCALE	1:1	



RENHOTECH GROUP

Name: SMA R/A Bulkhead Jack PCB Mount

SIZE A	Product NO. RHT-612-0282	REV B
DateTime 2017/3/6	CAD FILE D/company drawings/BD	SHEET: 1 OF 1