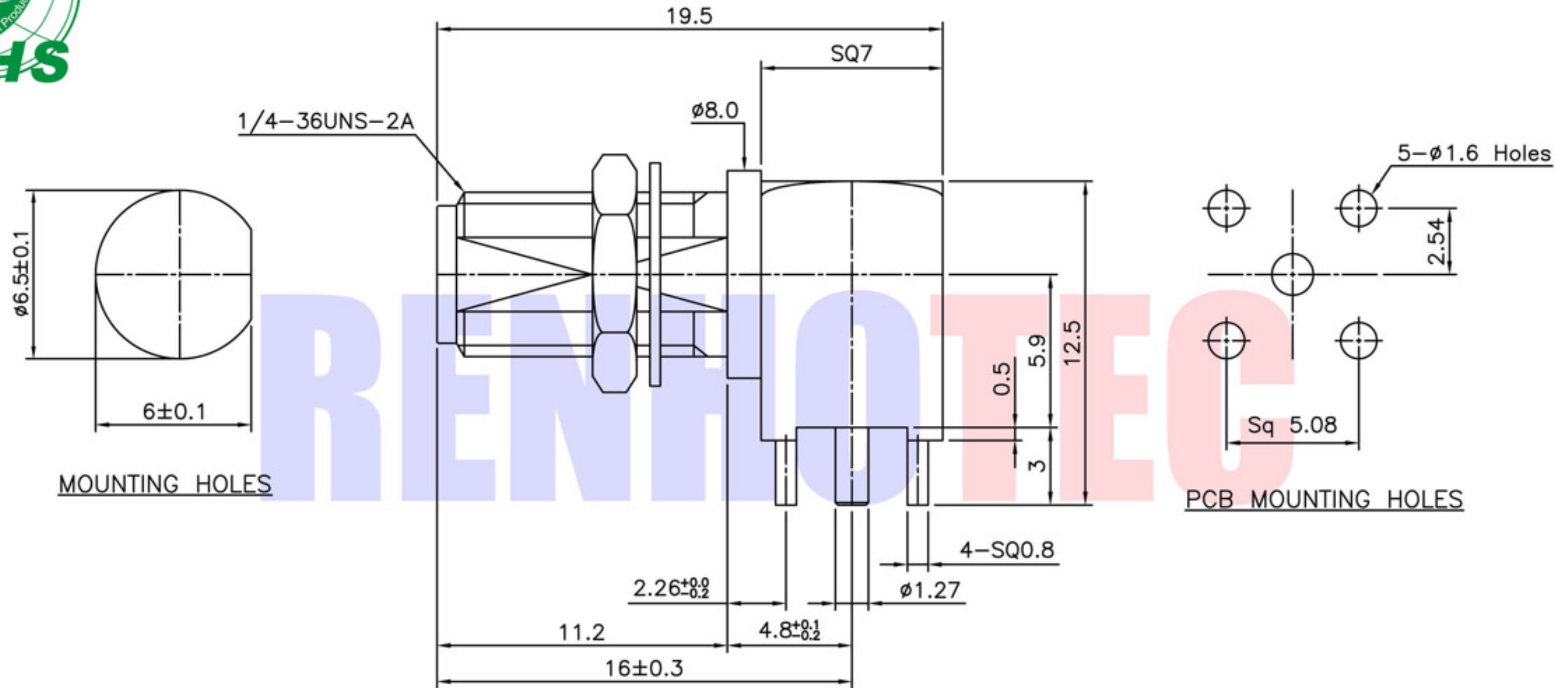




Product NO.	Renhotec-612-0281			
REV	DESCRIPTION	DWN	DATE	APPROVEN
A	First issue	Mr. Wang	2017/3/4	John kine



Connector parts	Materials	Finish
Body	Brass	Gold Plated
Center contact	Beryllium copper	Gold Plated
Nut, Washer	Brass	Gold Plated
Insulator	PTFE	Gold Plated

NOTE:		Tolerance	0-6	± 0.10
DRAWN Zelin. Zhang 2017/3/4			6-30	± 0.20
CHECKED		View	30-120	± 0.30
APPROVALS John Kine 2017/3/4			Angular	$\pm 2^\circ$
		UNIT	MM	
		SCALE	1:1	



RENHOTECH GROUP

Name: SMA R/A Bulkhead Jack PCB Mount

SIZE A	Product NO. RHT-612-0281	REV B
DateTime 2017/3/4	CAD FILE D/company drawings/BD	SHEET: 1 OF 1