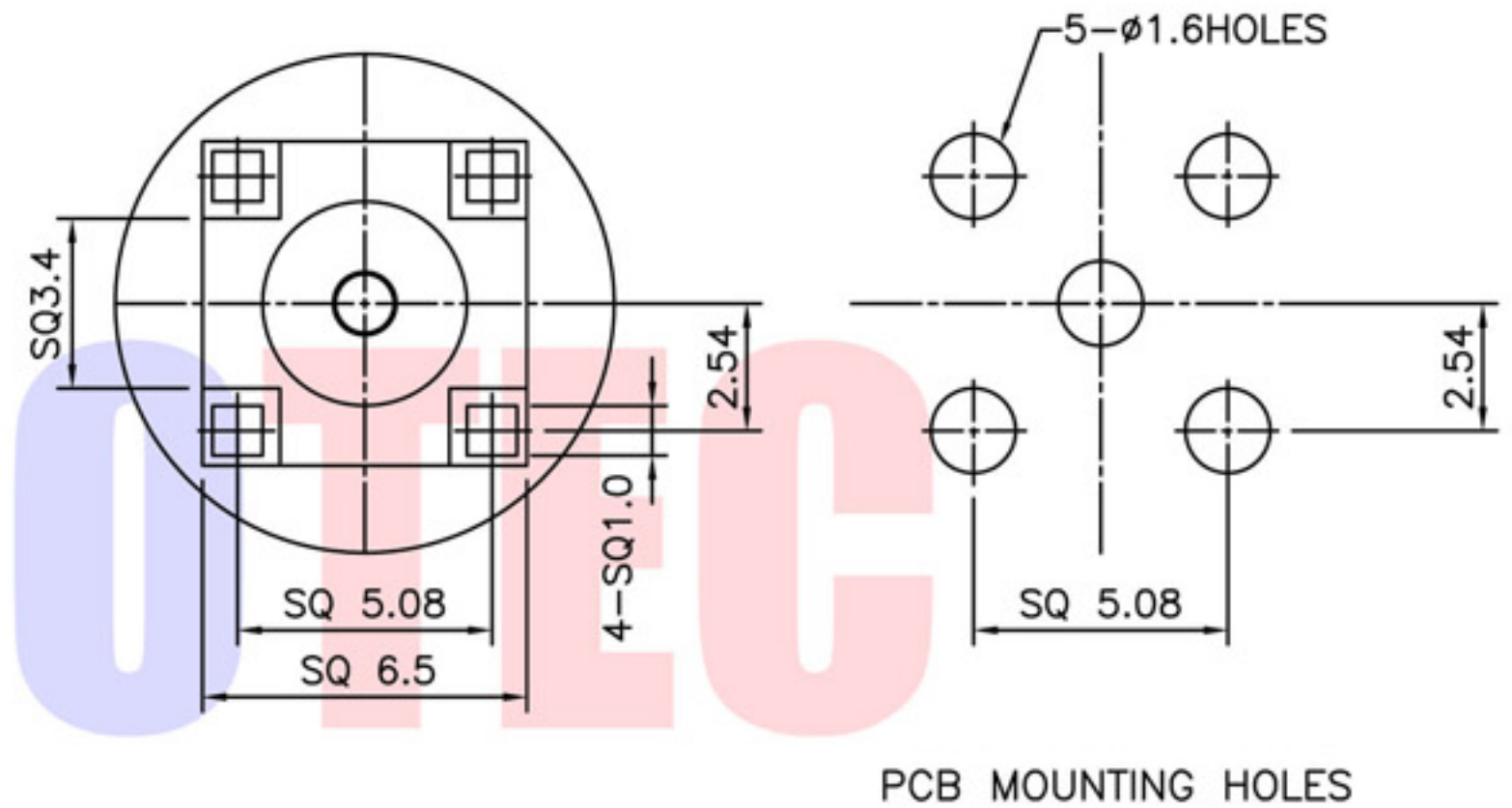
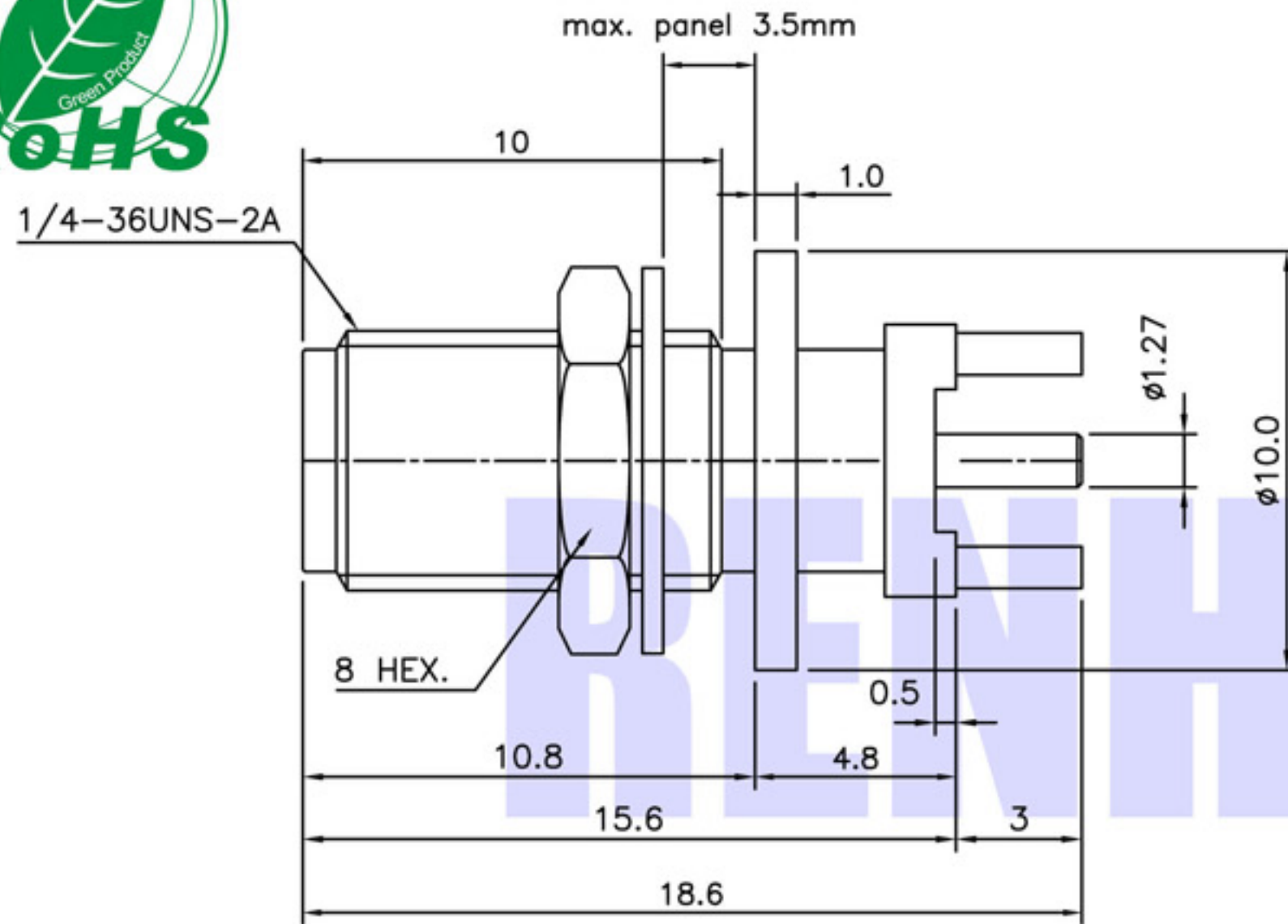




Product NO.	Renhotec-612-0269			
REV	DESCRIPTION	DWN	DATE	APPROVEN
A	First issue	Mr. Wang	2017/3/2	John kine



SPECIFICATION

- Dielectric Withstanding Voltage : 1000V min
- Working Voltage : < 335W
- Characteristics impedance : 50 ohm
- Frequency Range : DC~18GHz
- Insulation Resistance : 5000MΩ min
- Contact Resistance : < 3mΩ
- Contact Resistance Outer Conductor : < 2mΩ

NOTE:		Tolerance	0-6 ±0.10		
			6-30 ±0.20		
			30-120 ±0.30	Name: Str. SMA Jack PCB Mount	
			Angular ±2°	View	
DRAWN	Zelin. Zhang	2017/3/2		UNIT	MM
CHECKED				SCALE	1:1
APPROVALS	John Kine	2017/3/2		SIZE	A
				DateTime	2017/3/2
				CAD FILE	D/company drawings/BD
				Product NO.	RHT-612-0269
				REVISION	A
				SHEET: 1 OF 1	