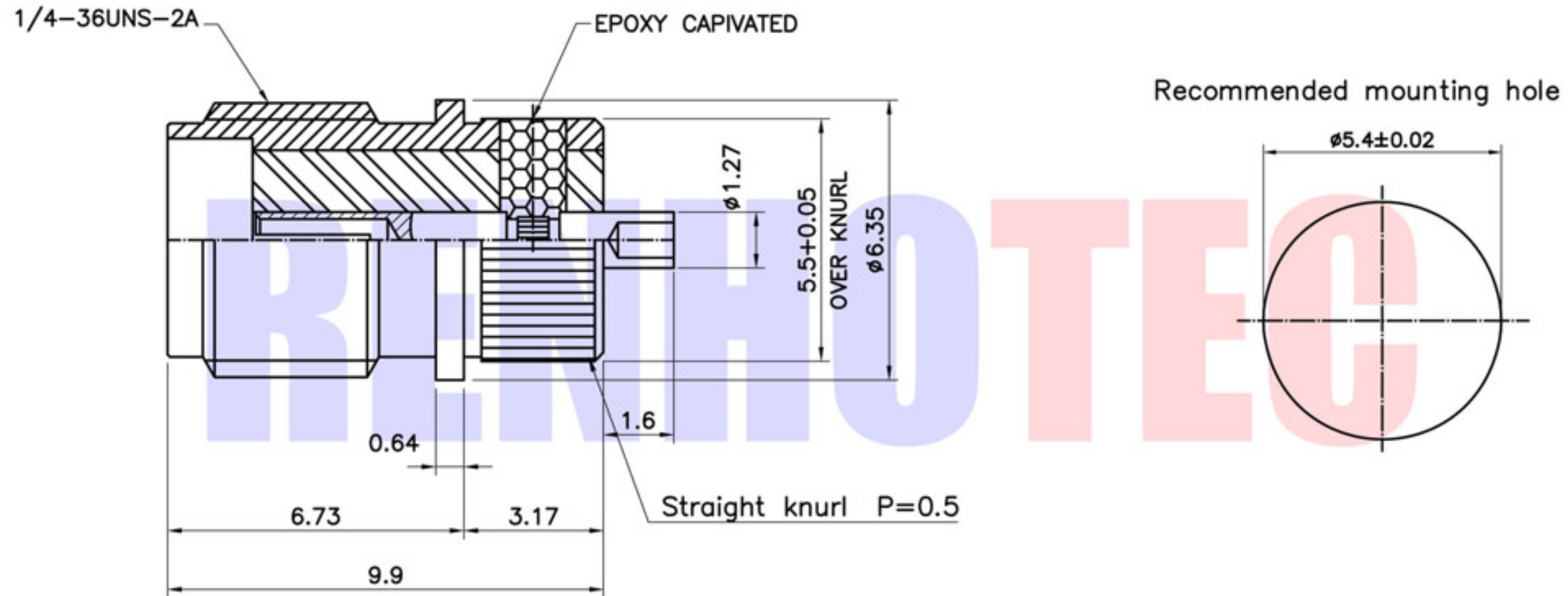




Product NO.	Renhotec-612-0264			
REV	DESCRIPTION	DWN	DATE	APPROVEN
A	First issue	Mr. Wang	2017/3/2	John kine



Item	Materials	Plating
Body	Stainless steel	Gold plated
Center contact	Beryllium copper	Gold plated
Insulator	PTFE	-

NOTE:		Tolerance	0-6	$\pm 0.10$
DRAWN Zelin. Zhang			6-30	$\pm 0.20$
2017/3/2		View	30-120	$\pm 0.30$
CHECKED			Angular	$\pm 2^\circ$
APPROVALS <i>John Kine</i>		UNIT	MM	
2017/3/2		SCALE	1:1	



**RENHOTEC GROUP**

Name: SMA Press-IN Jack

SIZE A	Product NO. RHT-612-0264	REV B
DateTime 2017/3/2	CAD FILE D/company drawings/BD	SHEET: 1 OF 1