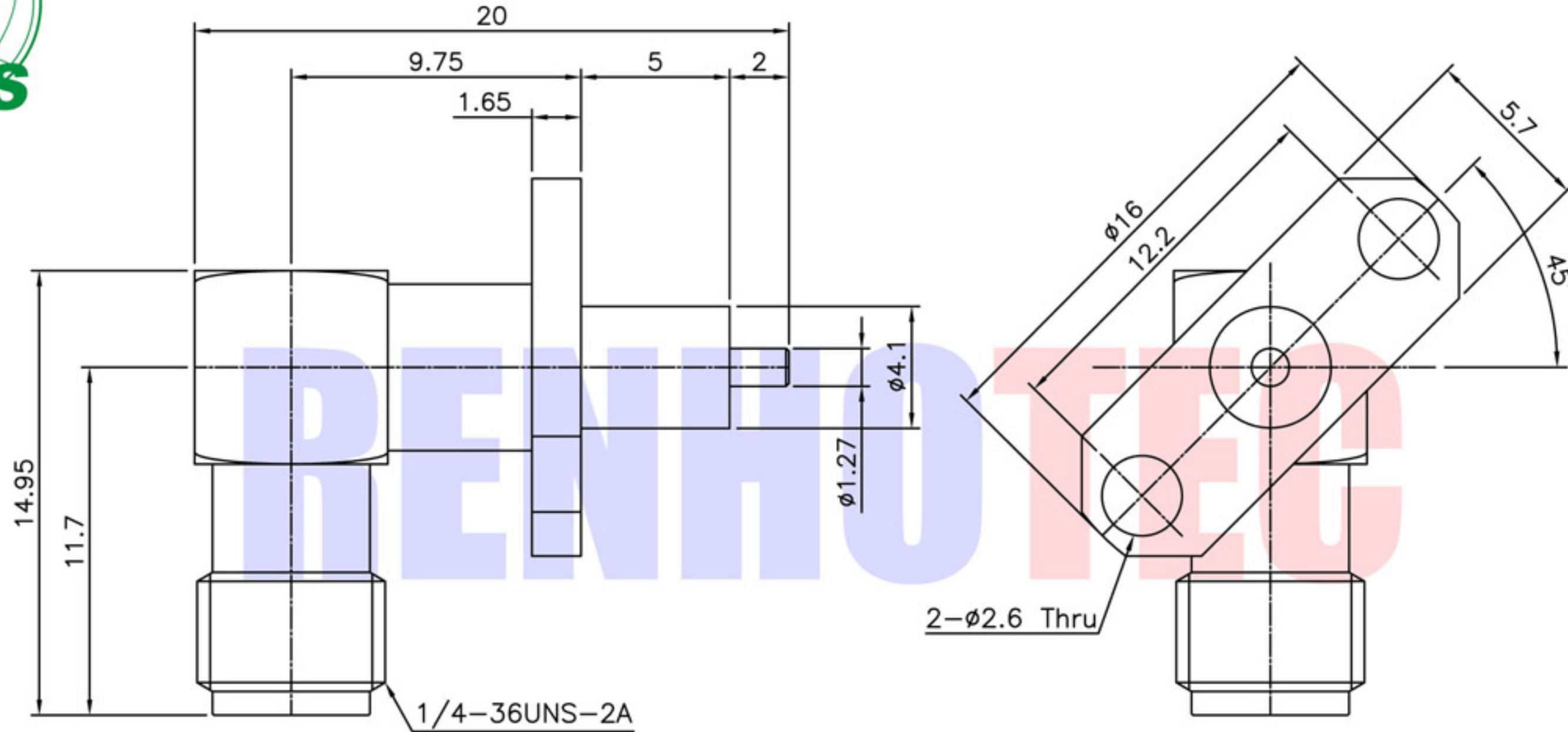




Product NO.	Renhotec-612-0259			
REV	DESCRIPTION	DWN	DATE	APPROVEN
A	First issue	Mr. Wang	2017/3/2	John kine



Connector parts	Materials	Finish
Body	Brass	Gold plated
Center contact	Brass	Gold plated
	BeCu	Gold plated
Insulator	PTFE	-

NOTE:		Tolerance	0-6 ± 0.10 6-30 ± 0.20 30-120 ± 0.30 Angular $\pm 2^\circ$
DRAWN Zelin. Zhang	2017/3/2	View	
CHECKED		UNIT	MM
APPROVALS John Kine	2017/3/2	SCALE	1:1



RENHOTEC GROUP

Name: SMA R/A 2Hole Jack Panel Receptacle			
SIZE A	Product NO. RHT-612-0259	REV A	B
DateTime 2017/3/2	CAD FILE D/company drawings/BD	SHEET: 1 OF 1	