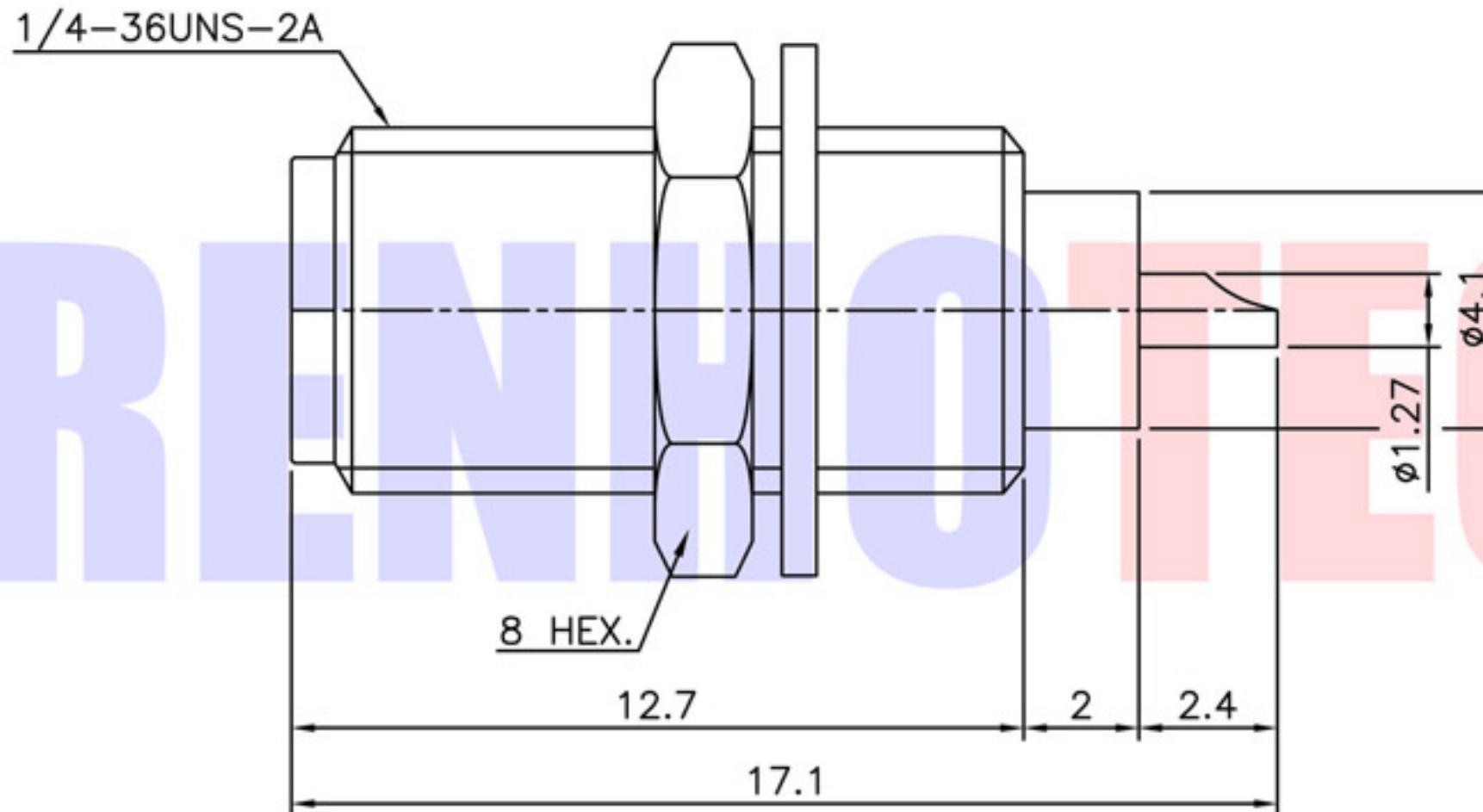




| | | | | |
|-------------|-------------------|----------|----------|-----------|
| Product NO. | Renhotec-612-0251 | | | |
| REV | DESCRIPTION | DWN | DATE | APPROVEN |
| A | First issue | Mr. Wang | 2017/3/2 | John kine |



| Connector parts | Materials | Finish |
|-----------------|-----------|-------------|
| Body,Nut,Washer | Brass | Gold Plated |
| Center contact | BeCu | Gold Plated |
| Insulator | TEFLON | - |

| | | | |
|-------------------------------|----------|---|---|
| NOTE: | | Tolerance 0-6 ±0.10 6-30 ±0.20 30-120 ±0.30 Angular ±2° | RENHOTEC GROUP www.renhotec.com |
| DRAWN Zelin. Zhang | 2017/3/2 | | |
| CHECKED | | View | Name: SMA Bulkhead Jack Receptacle |
| APPROVALS <i>John Kine</i> | 2017/3/2 | UNIT MM | SIZE A |
| | | SCALE 1:1 | Product NO. RHT-612-0251 |
| | | | REV B |
| | | | DateTime 2017/3/2 |
| | | | CAD FILE D/company drawings/BD |
| | | | SHEET: 1 OF 1 |