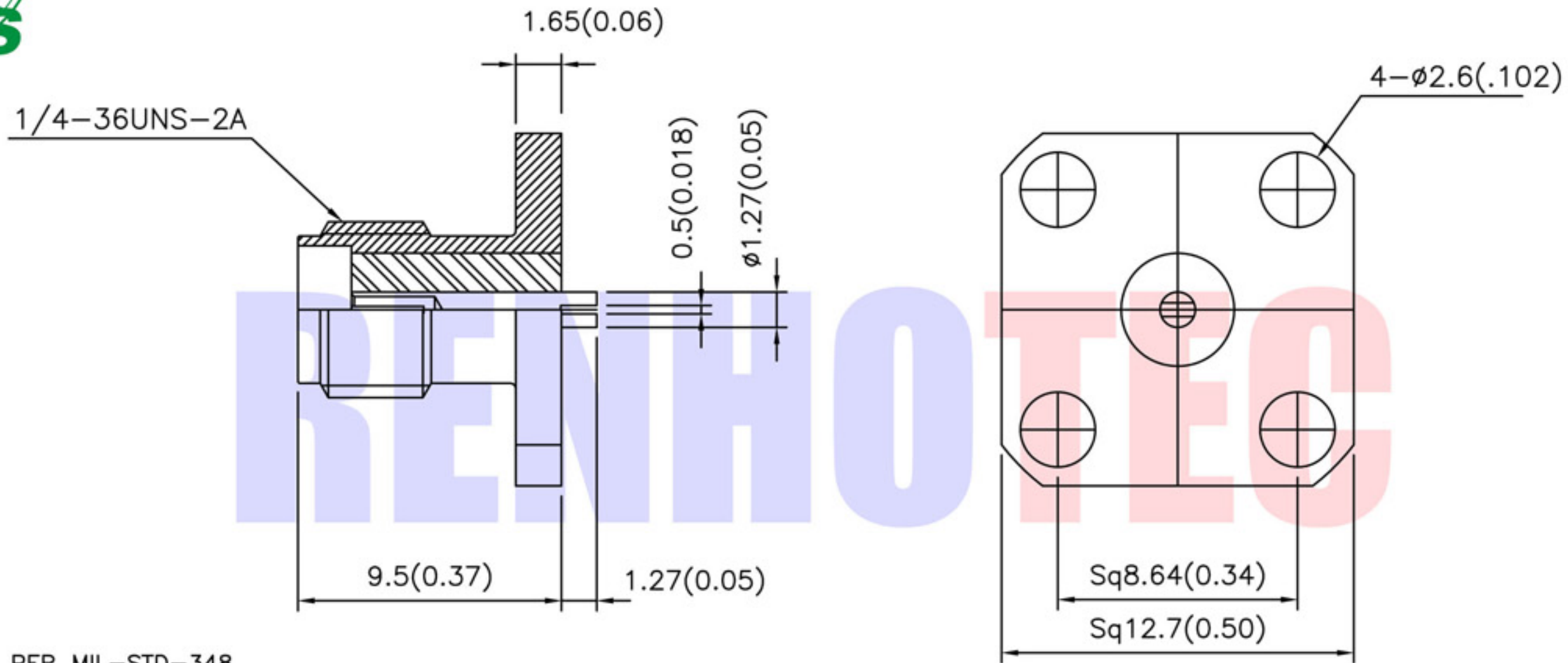




Product NO.	Renhotec-612-0246			
REV	DESCRIPTION	DWN	DATE	APPROVEN
A	First issue	Mr. Wang	2017/3/2	John kine



NOTES:

- INTERFACE PER MIL-STD-348
- MATERIALS
INSULATOR: TEFLON
CENTER CONTACT: BERYLLIUM COPPER
BODY: STAINLESS STEEL 303
- FINISHES
CENTER CONTACT: GOLD PLATE
BODY: PASSIVATED
- FOR NON-CAPTIVATED CONNECTORS, CENTER CONTACT IS PACKAGED AND SHIPPED UNASSEMBLED.

SMA-Panel JACK Receptacle
4-Hole/ (SQ 1/2")-SLOT TERMINAL

NOTE:		Tolerance	0-6 ±0.10 6-30 ±0.20 30-120 ±0.30 Angular ±2°
DRAWN	Zelin. Zhang	2017/3/2	View
CHECKED			UNIT
APPROVALS	John Kine	2017/3/2	SCALE
			MM
			1:1



RENHOTECH GROUP

Name: 4 Hole Flange SMA Jack			
SIZE	Product NO.	RHT-612-0246	REV
A			B
DateTime	CAD FILE	SHEET: 1 OF 1	
2017/3/2	D/company drawings/BD		