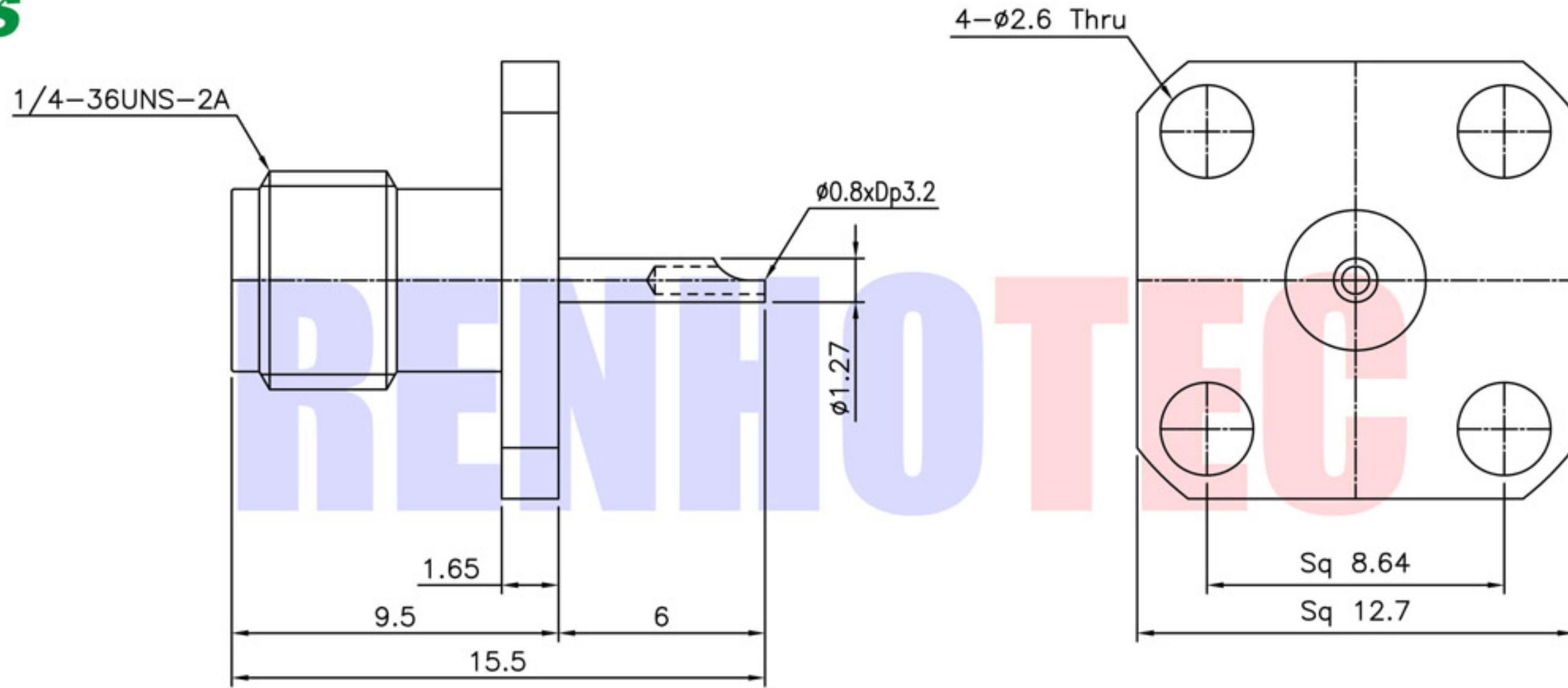




Product NO.	Renhotec-612-0242			
REV	DESCRIPTION	DWN	DATE	APPROVEN
A	First issue	Mr. Wang	2017/3/2	John kine



Connector parts	Materials	Finish
Body	Brass	Gold plated
Center contact	Beryllium copper	Gold plated
Insulator	PTFE	-

NOTE:		Tolerance	0-6	\pm 0.10
DRAWN Zelin. Zhang 2017/3/2			6-30	\pm 0.20
CHECKED		View	30-120	\pm 0.30
APPROVALS John Kine 2017/3/2			Angular	\pm 2°
		UNIT	MM	
		SCALE	1:1	



RENHOTECH GROUP

Name: SMA 4Hole Panel Launchers, Straight Jack

SIZE A	Product NO. RHT-612-0242	REV B
-----------	--------------------------	----------

DateTime 2017/3/2	CAD FILE D/company drawings/BD	SHEET: 1 OF 1
----------------------	-----------------------------------	---------------