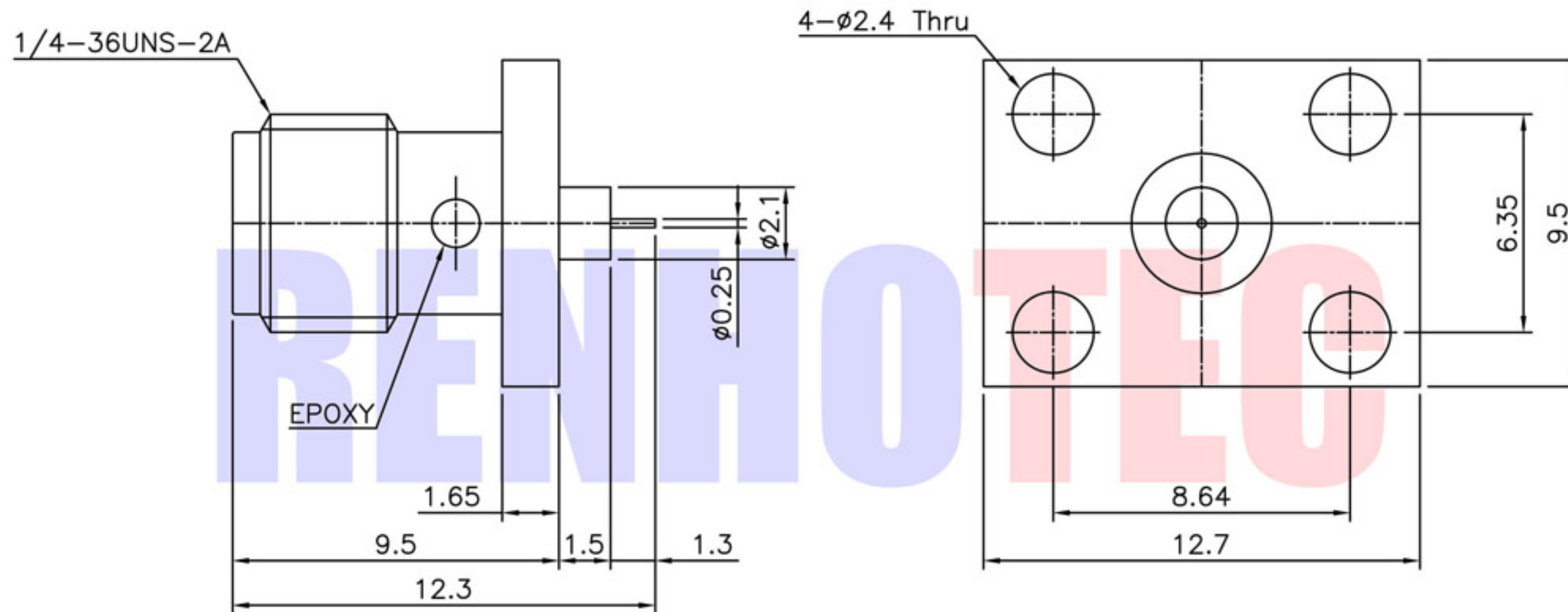




| | | | | |
|-------------|-------------------|----------|----------|-----------|
| Product NO. | Renhotec-612-0238 | | | |
| REV | DESCRIPTION | DWN | DATE | APPROVEN |
| A | First issue | Mr. Wang | 2017/3/2 | John kine |



| Connector parts | Materials | Finish |
|-----------------|------------------|-------------|
| Body | Brass | Gold plated |
| Center contact | Beryllium copper | Gold plated |
| Insulator | PTFE | - |

| | | | | | | |
|--------------|----------|-----------|---------|---------------|---------------------------------------|--------------------------|
| NOTE: | | Tolerance | 0-6 | ± 0.10 | www.renhotec.com | |
| DRAWN | | | 6-30 | ± 0.20 | | |
| Zelin. Zhang | 2017/3/2 | View | 30-120 | ± 0.30 | Name: SMA 4Hole Panel Jack Receptacle | |
| CHECKED | | | Angular | $\pm 2^\circ$ | UNIT | MM |
| APPROVALS | | SCALE | 1:1 | DATE | 2017/3/2 | Product NO. RHT-612-0238 |
| John Kine | 2017/3/2 | | | DATE | 2017/3/2 | CAD FILE |
| | | | | | | D/company drawings/BD |
| | | | | | | SHEET: 1 OF 1 |