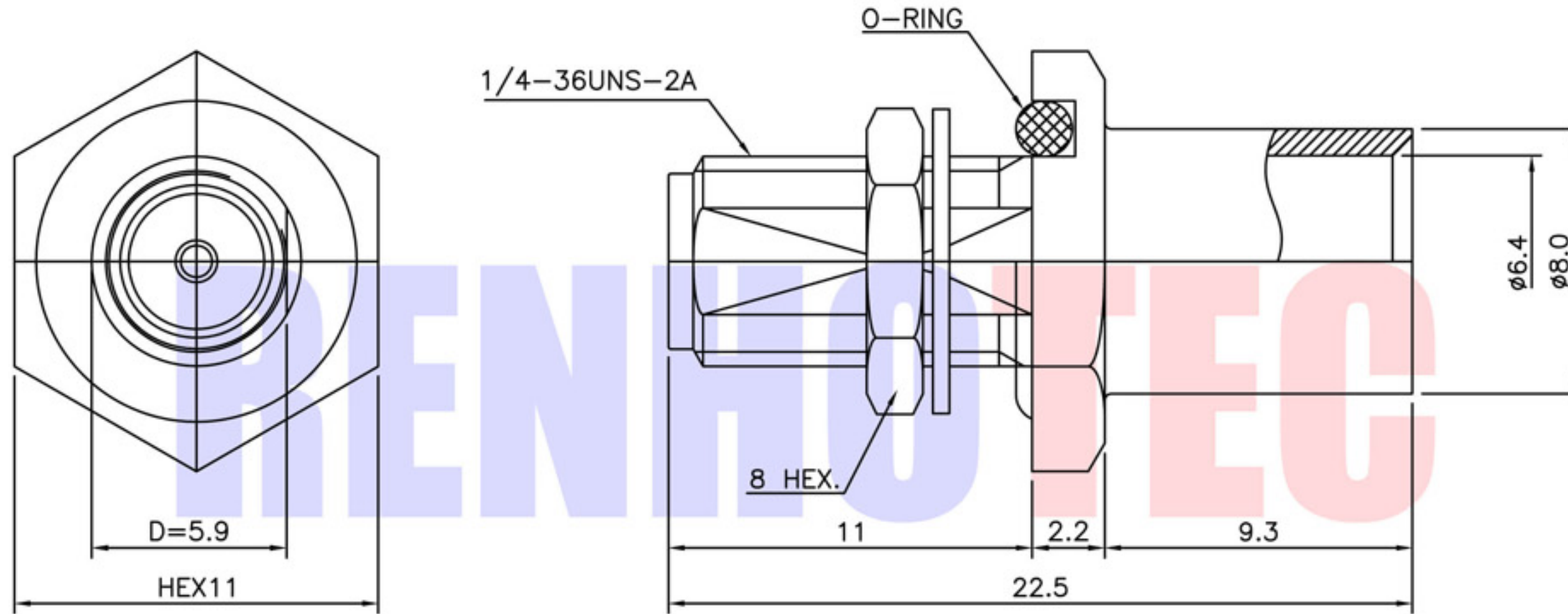




Product NO.	Renhotec-612-0212			
REV	DESCRIPTION	DWN	DATE	APPROVEN
A	First issue	Mr. Wang	2017/3/1	John kine



Connector parts	Materials	Finish
Body,Nut,Washer	Brass	Gold Plated
Center contact	Beryllium copper	Gold Plated
Insulator	PTFE	-
O-Ring	Silicone rubber	-

NOTE:		Tolerance	0-6	±0.10
DRAWN			6-30	±0.20
Zelin. Zhang	2017/3/1		30-120	±0.30
CHECKED			Angular	±2°
APPROVALS		View		
John Kine	2017/3/1	UNIT	MM	
		SCALE	1:1	



RENHOTEC GROUP

Name: SMA Bulkhead Jack for Cable UT250 with Seal

SIZE A	Product NO. RHT-612-0212	REV B
--------	--------------------------	-------

DateTime 2017/3/1	CAD FILE D/company drawings/BD	SHEET: 1 OF 1
-------------------	--------------------------------	---------------