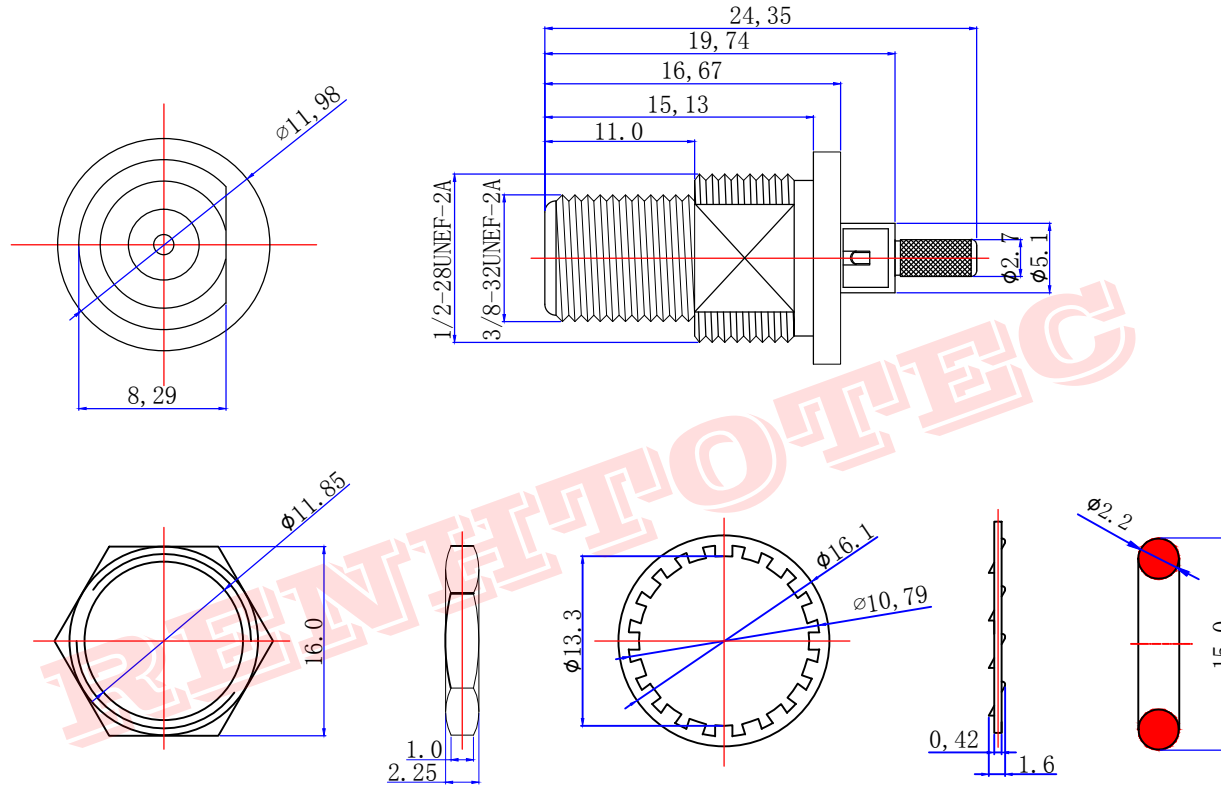




Product NO.		RHT-611-0343		
REV	DESCRIPTION	DWN	DATE	APPROVEN
A	First issue	Gavin	2017/12/11	JIM.KING



Specifications

Impedance:75 Ohms
 Frequency Range:DC~3G
 VSWR:1.3MAX
 Working Voltage:500V rms @ sea level
 Insulation Resistance:5000 Ohms min
 Temperature Range:-65°C TO +165°C
 Relative Temperature:≤95%(40° C±2° C)
 Drawings products are in line with ROHS standards

6	CASKEF	RUBBER	RED	1
5	LOCK WASHER	BRASS	NICKEL	1
4	HEX NUT	BRASS	NICKEL	1
3	Insulator	TEFLON	White	1
2	PIN	BEASS	NICKEL	1
1	BODY	BRASS	NICKEL	1
NO	DESCRIPTION	MATERIAL	FINISH	QTY

-TOLERANCES- UNLESS OTHERWISE SPECIFIED	RENHOTEC GROUP www.renhotec.com				
	PART DESCRIPTION: F JACK FOR RG174 CABLE				
UNLESS OTHERWISE SPECIFIED TOLERANCES FOR MILLIMETERS ARE: 0.5 - 8mm ± 0.20mm 8 - 30mm ± 0.40mm 30 -120mm ± 0.50mm	Appd: JIM.KING	P/N: RHT-611-0343			
Check:	Date	Scale	Unit	Type	Page
Draw: Gavin	2017.12.11	Free	MM	Z	1/1