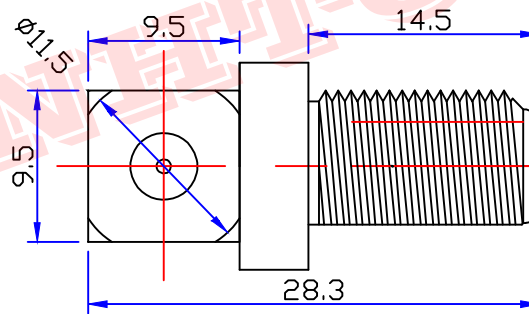
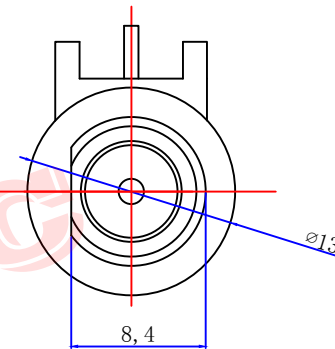
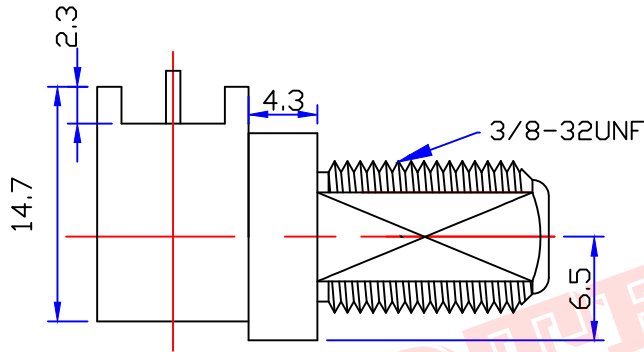
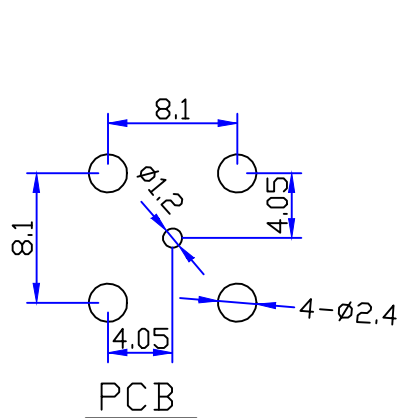




Product NO.	RHT-611-0331			
REV	DESCRIPTION	DWN	DATE	APPROVEN
A	First issue	Mr. CHEN	2016/11/12	John kine



SPECIFICATIONS:

Impedance: 75 Ohms
 Frequency Range: DC~3G
 VSWR: 30dB Return loss @ 1GHZ
 Working Voltage: 15 watts continuous
 Insulation Resistance: 5000 Ohms min
 Temperature Range: -40°C TO +60°C
 Drawings products are in line with ROHS standards

1	Body	BARSS	NI:80-120u"	NOTE:	Tolerance	0-6	±0.10	RENHOTEC GROUP www.renhotec.com				
2	Insulator	Pom	White			6-30	±0.20					
3	Center contact	Phosphor	AU:1-3u"			30-120	±0.30					
4						Angular	±2°					
5				DRAWN	2016/11/12	View		Name: F Jack Right angle PCB Mount				
6				Zelin. CHEN								
7				CHECKED		UNIT	MM	SIZE	Product NO. RHT-611-0331	REV	A	
8				APPROVALS	12/11.2016	SCALE	1:1	DateTime	2016/11/12	CAD FILE	D/company drawings/BD	SHEET: 1 OF 1
NO	Component Number	Material	Finish	John	Kine							