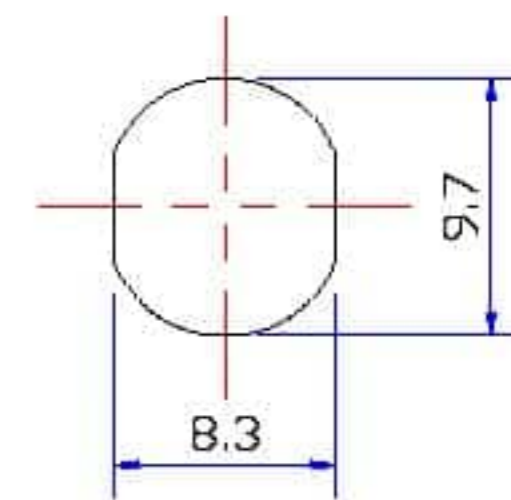
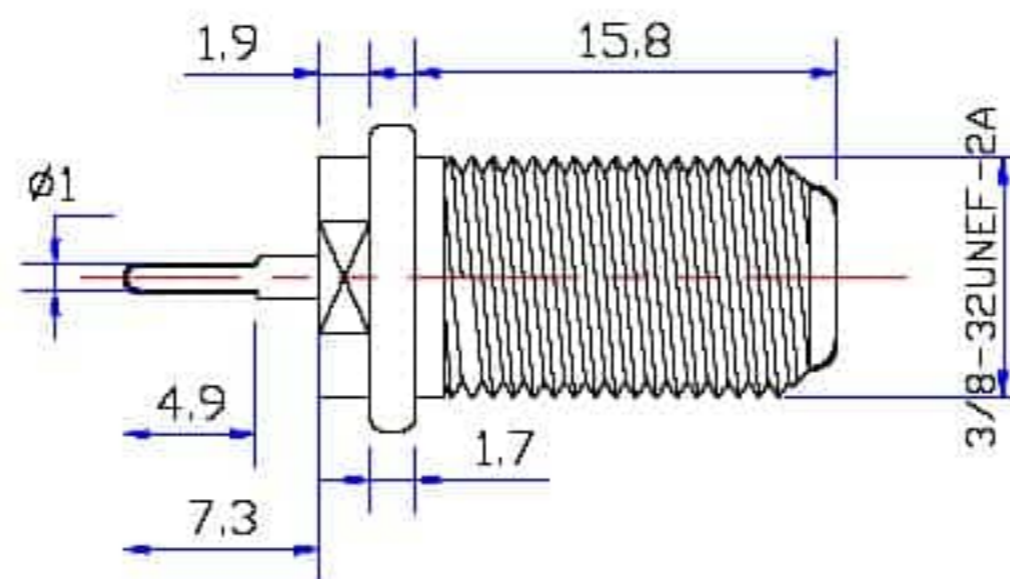
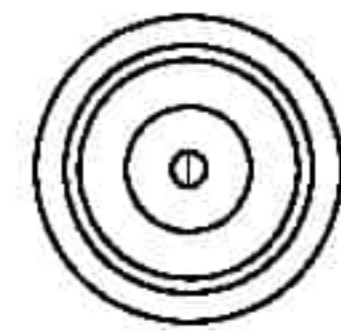
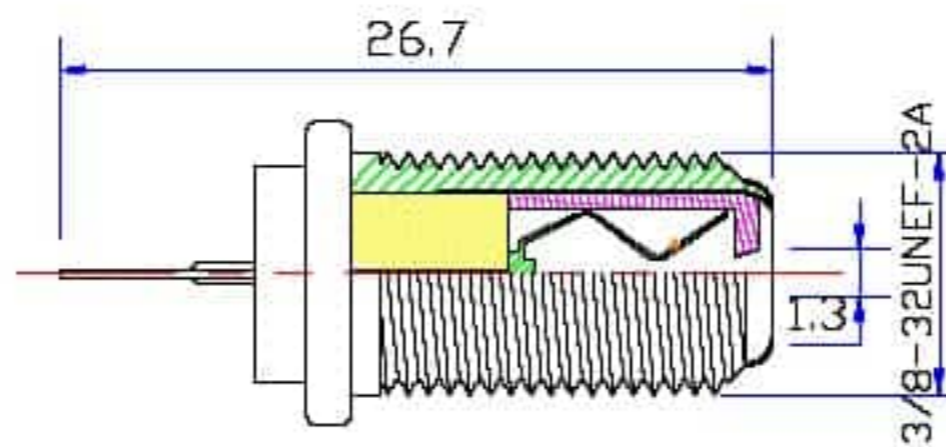
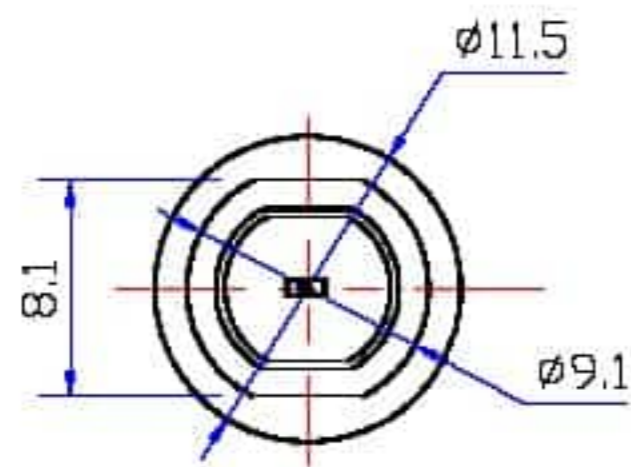




Product NO.	Renhotec-611-0023			
REV	DESCRIPTION	DWN	DATE	APPROVEN
A	First issue	Mr. chen	2016/3/16	John kine



SPECIFICATIONS:

Impedance: 75 Ohms
 Frequency Range: DC~3G
 VSWR: 30dB Return loss @ 1GHZ
 Working Voltage: 15 watts continuous
 Insulation Resistance: 5000 Ohms min
 Temperature Range: -40°C TO +60°C
 Drawings products are in line with ROHS standards

1	Body	Brass	NI:80-120u"
2	Insulator	PP	White
3	Center contact	Phosphor	Gold
4			
5			
6			
7			
8			
9			
10			
NO	Component Number	Material	Finish

NOTE:		Tolerance	0-5 ±0.10 6-30 ±0.20 30-120 ±0.30 Angular ±2°
DRAWN	2016/03/16	View	
Zelin. Zhang		UNIT	MM
CHECKED		SCALE	1:1
APPROVALS	16/03.2016		
John Kine			

RENHOTEC **RENHOTEC GROUP**
 www.renhotec.com

Name: F Jack CONNECTOR

SIZE A Product NO. RENHOTEC-611-0023 REV B

Date/Time 2016/3/16 CAD FILE D/company drawings/BD SHEET: 1 OF 1