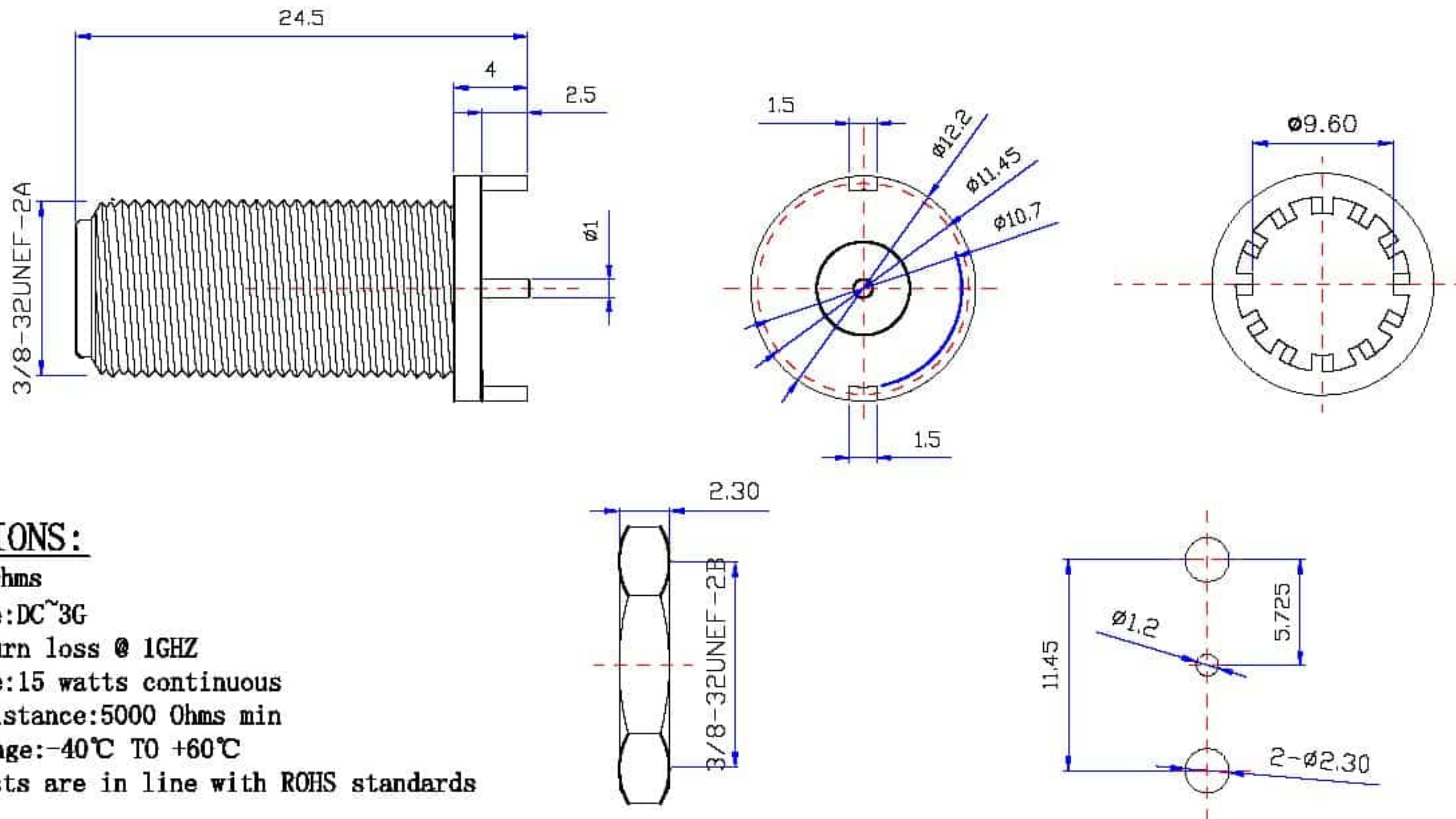




Product NO.	Renhotec-611-0017			
REV	DESCRIPTION	DWN	DATE	APPROVEN
A	First issue	Mr. chen	2016/3/16	John kine




SPECIFICATIONS:

Impedance: 75 Ohms
 Frequency Range: DC~3G
 VSWR: 30dB Return loss @ 1GHZ
 Working Voltage: 15 watts continuous
 Insulation Resistance: 5000 Ohms min
 Temperature Range: -40°C TO +60°C
 Drawings products are in line with ROHS standards

1	Body	BARSS	NI: 80-120u ^m
2	Insulator	PP	White
3	Center contact	Phosphor	TIN: 80-100u ^m
4	Washer	Iron	NI: 80-120u ^m
5	Nut	Zinc	NI: 80-120u ^m
6			
7			
8			
9			
10			
NO	Component Number	Material	Finish

NOTE:	
DRAWN	2016/03/16
Zelin. Zhang	
CHECKED	
APPROVALS	16/03/2016
John Kine	

Tolerance	0-6	±0.10
	6-30	±0.20
View	30-120	±0.30
	Angular	±2°
UNIT	MM	
SCALE	1:1	


RENHOTEC GROUP
 www.renhotec.com

Name: F Jack STRAIGHT PCB MOUNT
 SIZE A Product NO. RENHOTEC-611-0017 REV B
 Date/Time 2016/3/16 CAD FILE D/company drawings/BD SHEET: 1 OF 1