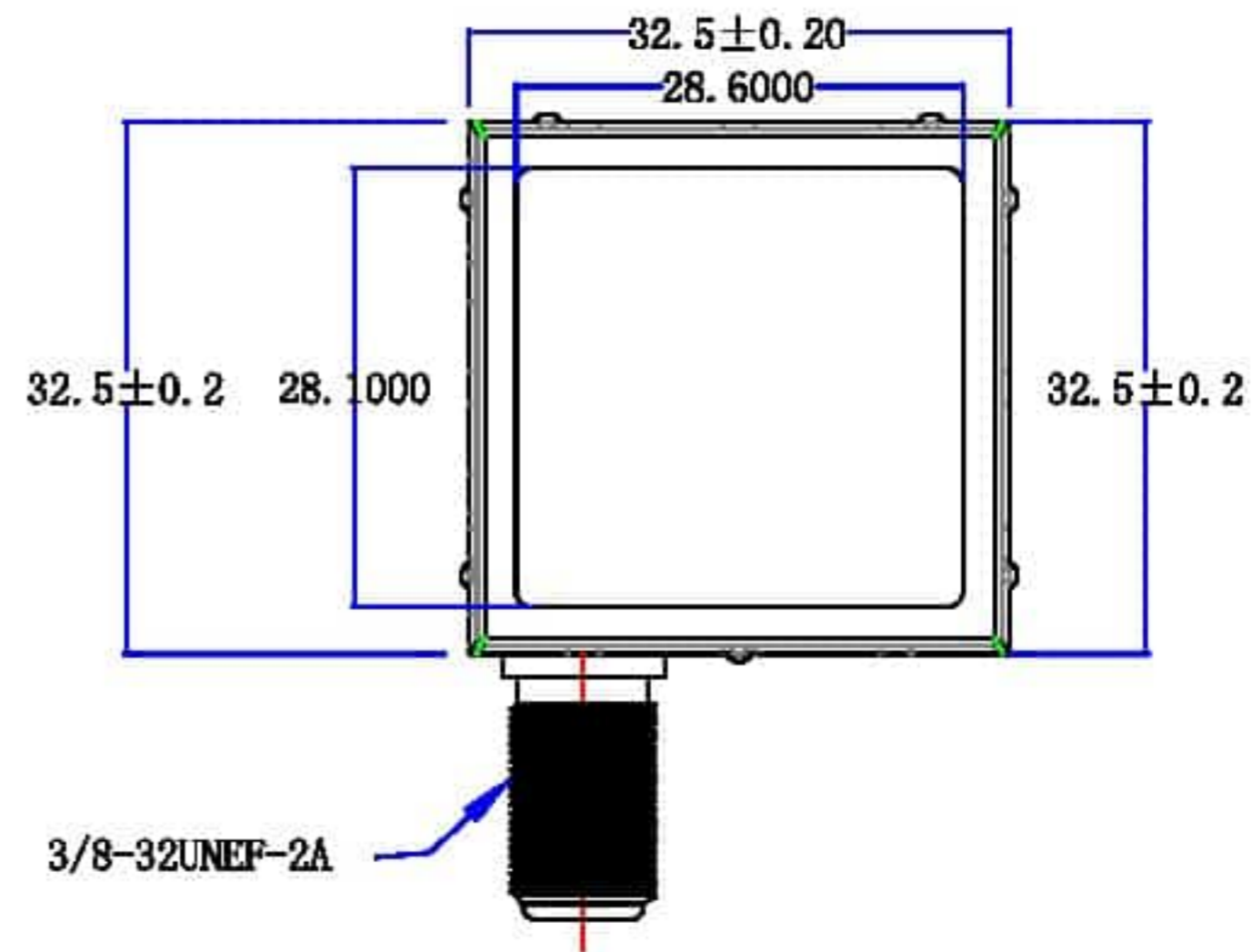
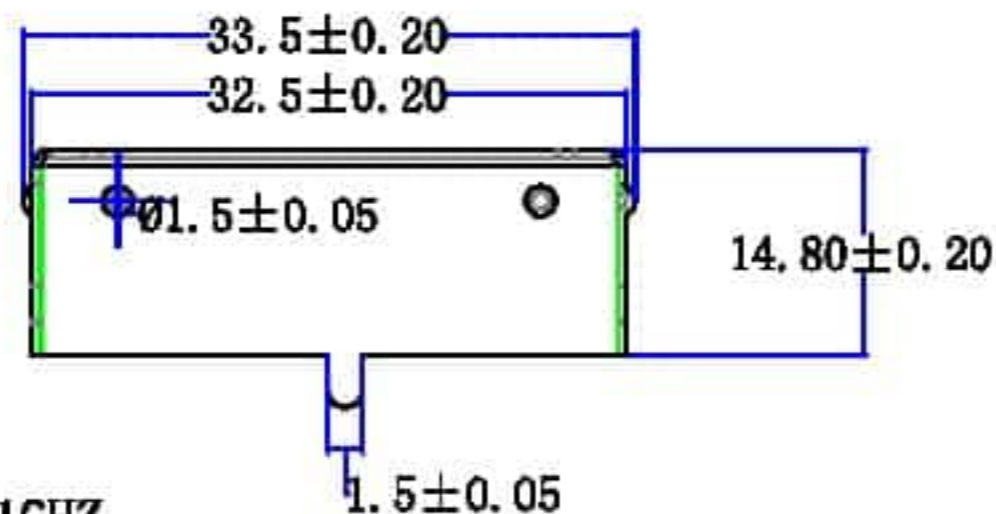
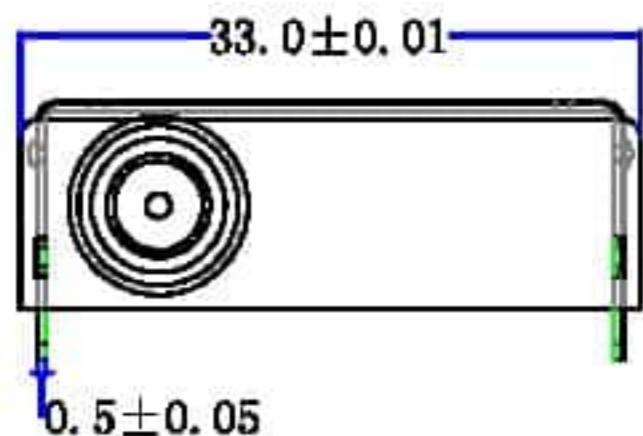




Product NO.	Renhotec-611-0012			
REV	DESCRIPTION	DWN	DATE	APPROVEN
A	First issue	Mr. CHEN	2016/3/12	John kine



SPECIFICATIONS:

- Impedance: 75 Ohms
- Frequency Range: DC~3G
- VSWR: 30dB Return loss @ 1GHZ
- Working Voltage: 15 watts continuous
- Insulation Resistance: 5000 Ohms min
- Temperature Range: -40°C TO +60°C
- Drawings products are in line with ROHS standards

1	F Body	BRASS	NI
2	HOLDER	IRON	SN
3	SHIELD	IRON	SN
4			
5			
6			
7			
8			
9			
10			
NO	Component Number	Material	Finish

NOTE:	
DRAWN	2016/03/12
Zelin. Zhang	
CHECKED	
APPROVALS	12/03.2016
John Kine	

Tolerance	0-6	±0.10
	6-30	±0.20
View	30-120	±0.30
	Angular	±2°
UNIT	MM	
SCALE	1:1	

		RENHOTEC GROUP	
Name: F Jack With Holder			
SIZE	Product NO.	RENHOTEC-611-0012	REV
A			
Datetime	CAD FILE	D/company drawings/BD	SHEET: 1 OF 1
2016/3/12			