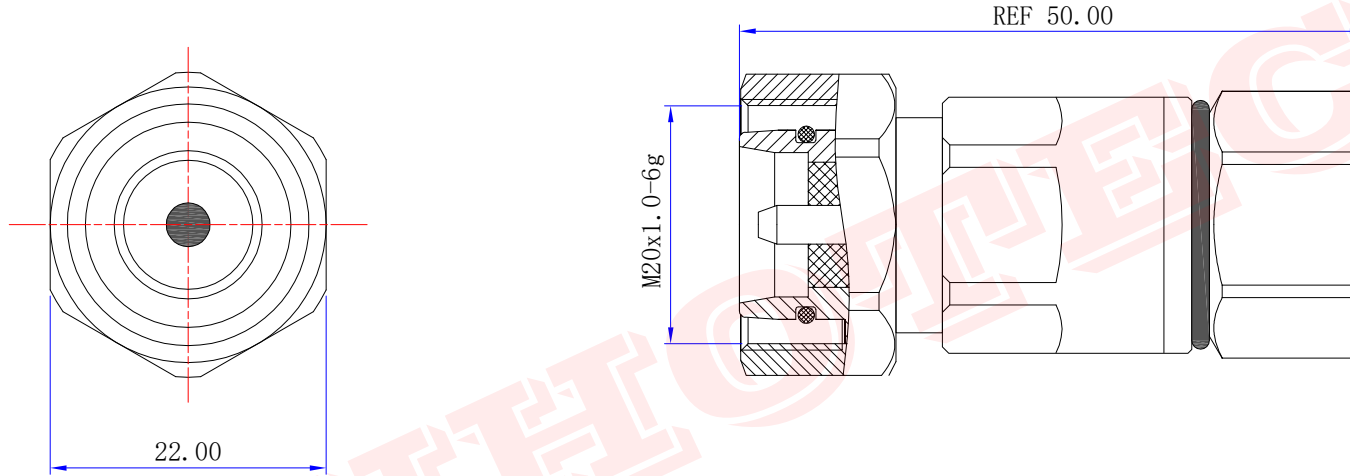




Product NO.		RHT-644-0020		
ISSUE	DESCRIPTION	DWN	DATE	APPROVEN
R1.0	First issue	Gavin	2021/08/31	JIM. KING



Material & Finishing:

1. Center conductor: Brass, Silver Plating
2. Insulators: PTFE
3. Body : Brass, Ternary alloy Plating
4. O-Ring: Rubber, Black

Electrical Data:

1. Impedance: 50 Ohms
2. Frequency: 0~6GHz
3. VSWR:  $\leq 1.15(0-3\text{GHz})$
4. Proof Voltage : 2500 Veff
5. Contact Resistance:  
Center Contact:  $\pm 1.0\text{m}\Omega$   
Outer Contact :  $\pm 1.0\text{m}\Omega$

-TOLERANCES- UNLESS OTHERWISE SPECIFIED	<b>RENHOTEC GROUP</b>					
	PART DESCRIPTION: 4.3-10 Male For 1/2" Cable					
UNLESS OTHERWISE SPECIFIED TOLERANCES FOR MILLIMETERS ARE: 0.5 - 8mm $\pm 0.20\text{mm}$ 8 - 30mm $\pm 0.25\text{mm}$ 30 - 120mm $\pm 0.30\text{mm}$	Appr: JIM. KING	P/N: RHT-644-0020				
	Check:	Date: 2021.08.31	Scale: Free	Unit: MM	Type: Z	Page: 1/1
	Draw: Gavin					