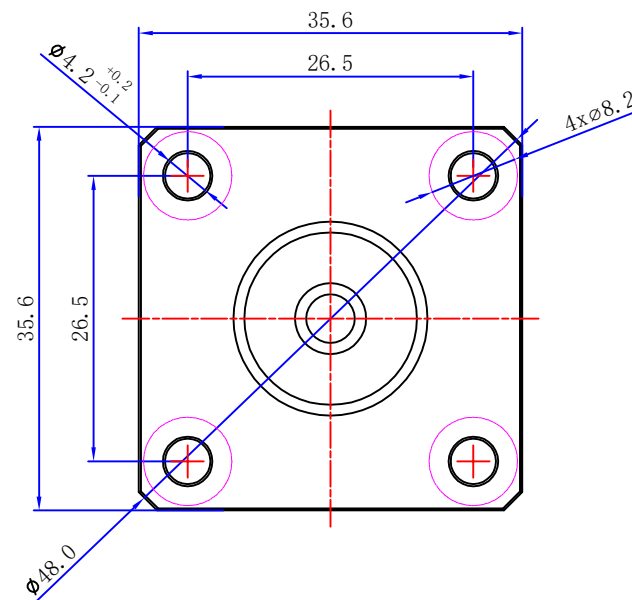
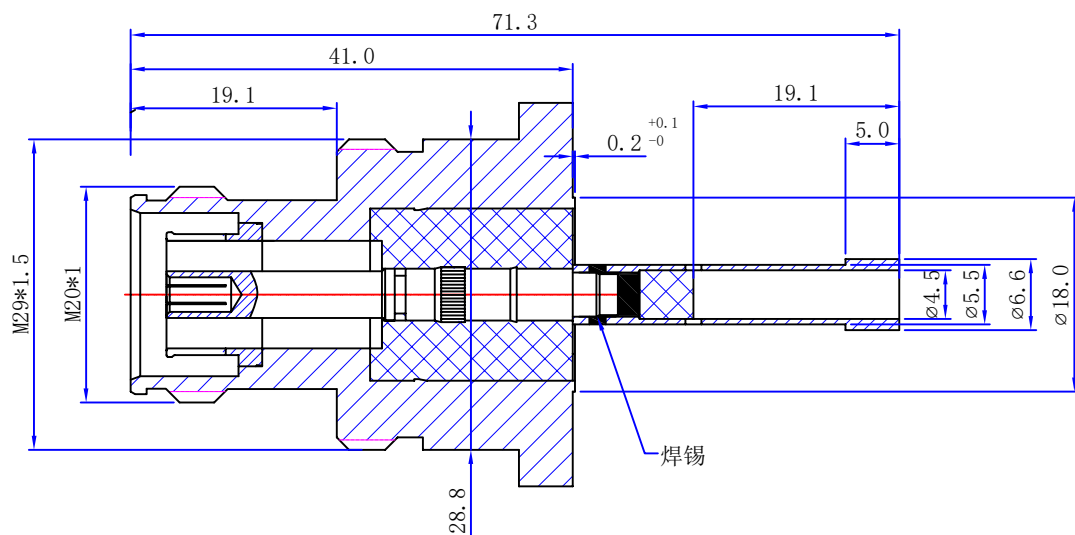




Product NO.

RHT-644-0014

ISSUE	DESCRIPTION	DWN	DATE	APPROVEN
R1.0	First issue	Gavin	2020/9/12	JIM.KING



技术要求:

驻波 (VSWR) : 0-3G ≤1.15;

特性阻抗: 50Ω

频率范围: 0-6GHz

额定电压: 500V rms

介质耐压: 2700V rms

接触电阻: 内导体≤1.0mΩ 外导体≤0.5mΩ

绝缘电阻: ≥10000MΩ

插入损耗: ≤0.05dB

三阶互调: ≤-160dBc

-TOLERANCES- UNLESS OTHERWISE SPECIFIED  UNLESS OTHERWISE SPECIFIED TOLERANCES FOR MILLIMETERS ARE: 0.5 - 8mm ± 0.20mm 8 - 30mm ± 0.25mm 30 - 120mm ± 0.30mm	<b>RENHOTEC GROUP</b> <a href="http://www.renhotec.com">www.renhotec.com</a>		PART DESCRIPTION: 4.3-10 Female Connector				
	Appr: JIM.KING Check: Draw: Gavin	P/N: RHT-644-0014		Date	Scale	Unit	Type
			2020.09.12	Free	MM	Z	1/1