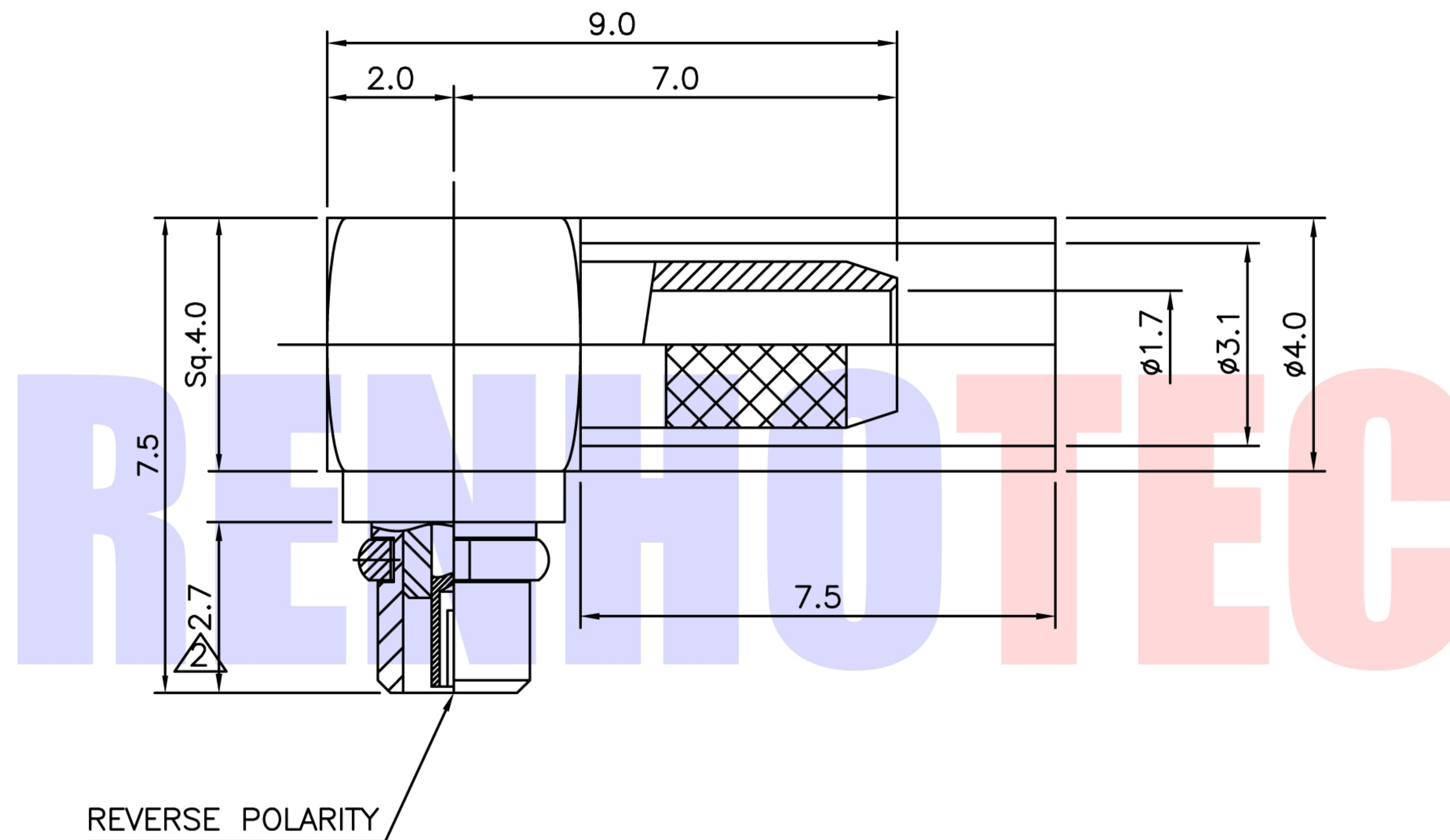




| | | | | |
|-------------|-------------------|----------|-----------|-----------|
| Product NO. | Renhotec-631-0112 | | | |
| REV | DESCRIPTION | DWN | DATE | APPROVEN |
| A | First issue | Mr. Wang | 2017/2/24 | John kine |



| Item | Materials | Plating |
|----------------|-----------|-------------|
| Body | Brass | Gold Plated |
| C-Ring | Be-Cu | Gold Plated |
| Center contact | Be-Cu | Gold Plated |
| Ferrule | Brass | Gold Plated |
| Insulator | PTFE | - |

| | | | |
|-----------|------------------------|-----------|--|
| NOTE: | | Tolerance | 0-6 ±0.10 6-30 ±0.20 30-120 ±0.30 Angular ±2° |
| DRAWN | Zelin. Zhang 2017/2/24 | View | |
| CHECKED | | UNIT | MM |
| APPROVALS | John Kine 2017/2/24 | SCALE | 1:1 |



RENHOTECH GROUP

| | | | |
|--|--------------------------------|---------------|---|
| Name: MMCX R/A Plug (Reverse Polarity) for RG316 | | | |
| SIZE A | Product NO. RHT-631-0112 | REV | B |
| DateTime 2017/2/24 | CAD FILE D/company drawings/BD | SHEET: 1 OF 1 | |