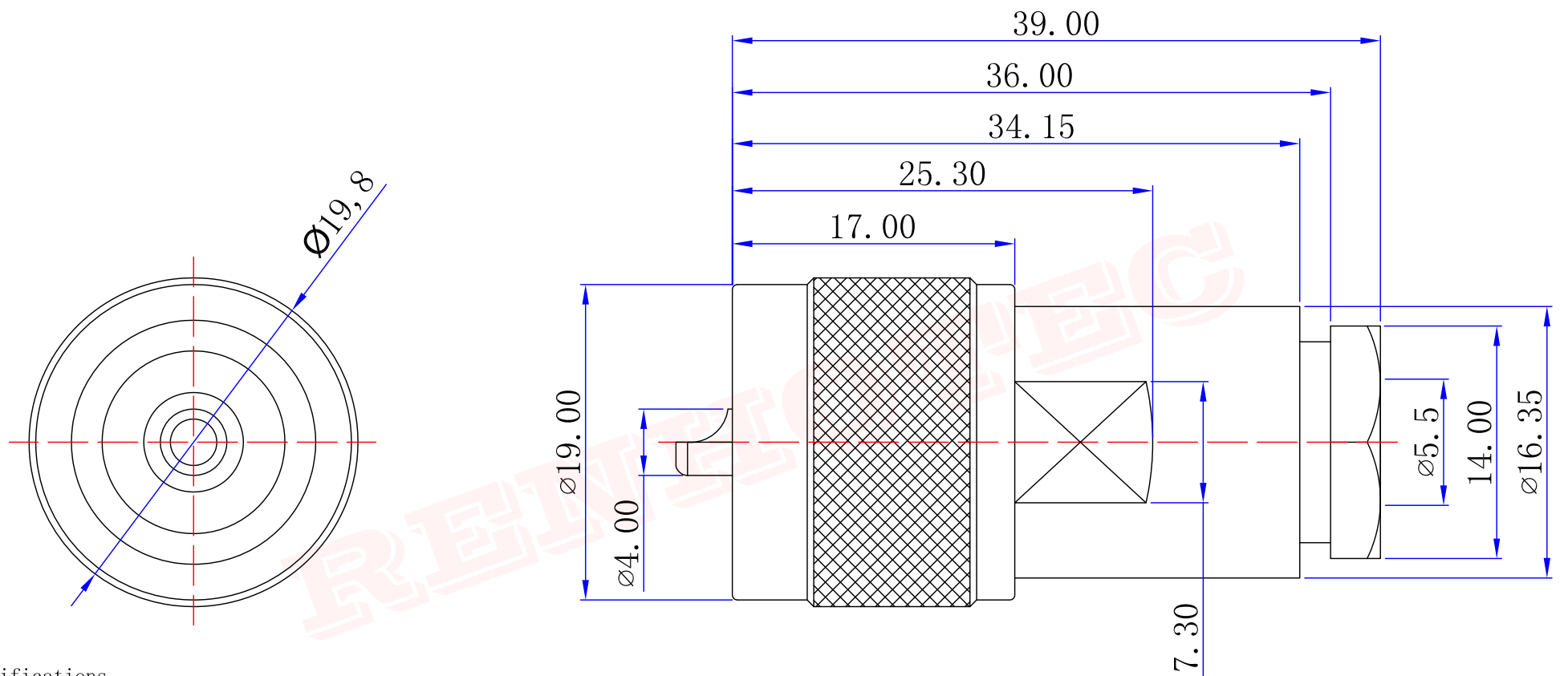




Product NO.		RHT-630-0200		
REV	DESCRIPTION	DWN	DATE	APPROVEN
A	First issue	Gavin	2018/07/18	JIM. KING



Specifications

Impedance: 50 Ohms  
 Frequency Range: DC~3G  
 VSWR: 1.3MAX  
 Working Voltage: 500V rms @ sea level  
 Insulation Resistance: 5000 Ohms min  
 Temperature Range: -55°C TO +155°C  
 Relative Temperature: ≤95% (40° C ± 2° C)  
 Drawings products are in line with ROHS standards

3	PIN	BRASS	SN	1
2	DIELECTRIC	TEFLON	NONE	1
1	BODY	BRASS	NICKEL	1
NO	DESCRIPTION	MATERIAL	FINISH	QTY

-TOLERANCES- UNLESS OTHERWISE SPECIFIED  UNLESS OTHERWISE SPECIFIED TOLERANCES FOR MILLIMETERS ARE: 0.5 - 8mm ± 0.10mm 8 - 30mm ± 0.15mm 30 - 120mm ± 0.20mm	 <b>RENHOTEC GROUP</b> <a href="http://www.renhotec.com">www.renhotec.com</a>	PART DESCRIPTION: UHF PLUG FOR RG58 CABLE				
	Appd: JIM. KING Check: Draw: Gavin	P/N: RHT-630-0200	Date	Scale	Unit	Type
		2018.07.18	Free	MM	Z	1/1