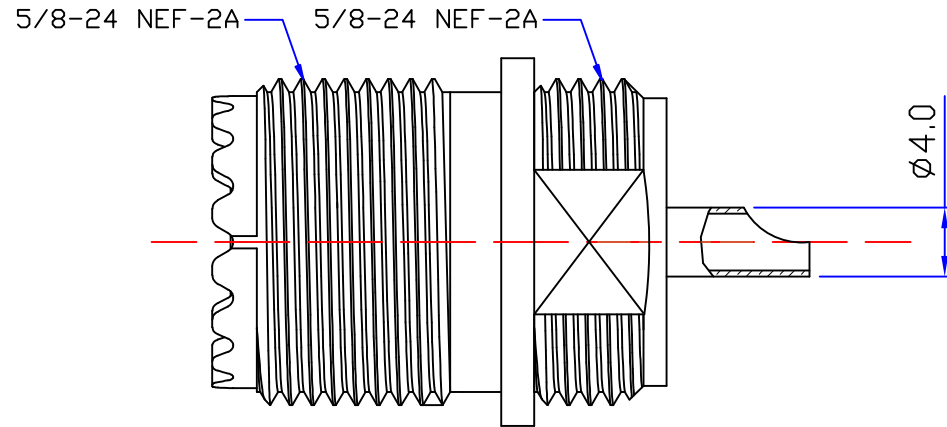
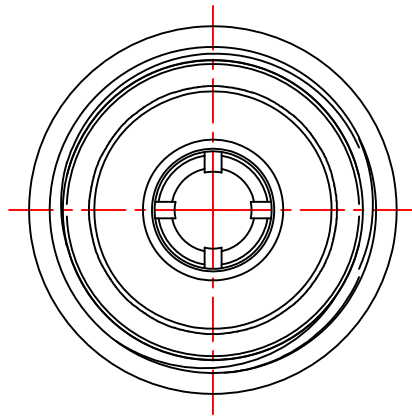




Product NO.		RHT-630-0103			
REV	DESCRIPTION	DWN	DATE	APPROVEN	
A	First issue	Gavin	2018/03/12	JIM. KING	



NO	DESCRIPTION	MATERIAL	FINISH	QTY
3	PIN	BRASS	SN	1
2	DIELECTRIC	TEFLON	NONE	1
1	BODY	BRASS	Black chromium	1

-TOLERANCES- UNLESS OTHERWISE SPECIFIED  UNLESS OTHERWISE SPECIFIED TOLERANCES FOR MILLIMETERS ARE: 0.5 - 8mm ± 0.20mm 8 - 30mm ± 0.40mm 30 -120mm ± 0.50mm	<b>RENHOTEC GROUP</b> <a href="http://www.renholec.com">www.renholec.com</a>		PART DESCRIPTION: UHF JACK			
	Appd: JIM. KING Check: Draw: Gavin	P/N: RHT-630-0103 Date: 2018/03/12	Scale: Free	Unit: MM	Type: Z	Page: 1/1