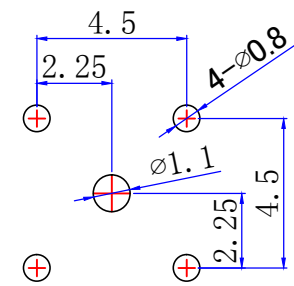
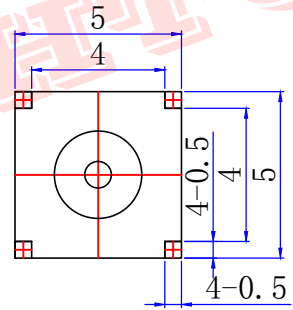
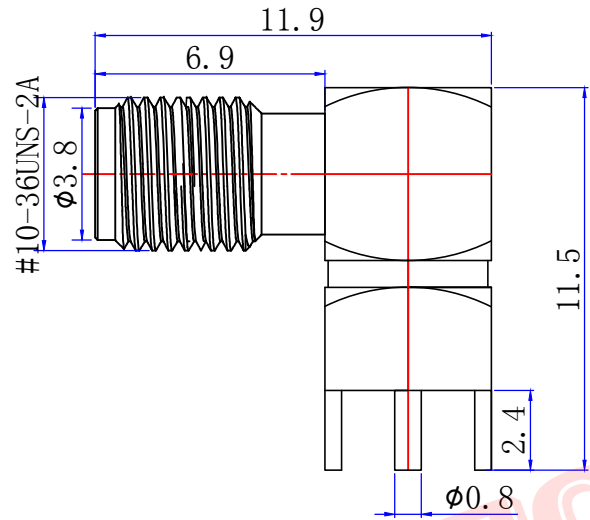


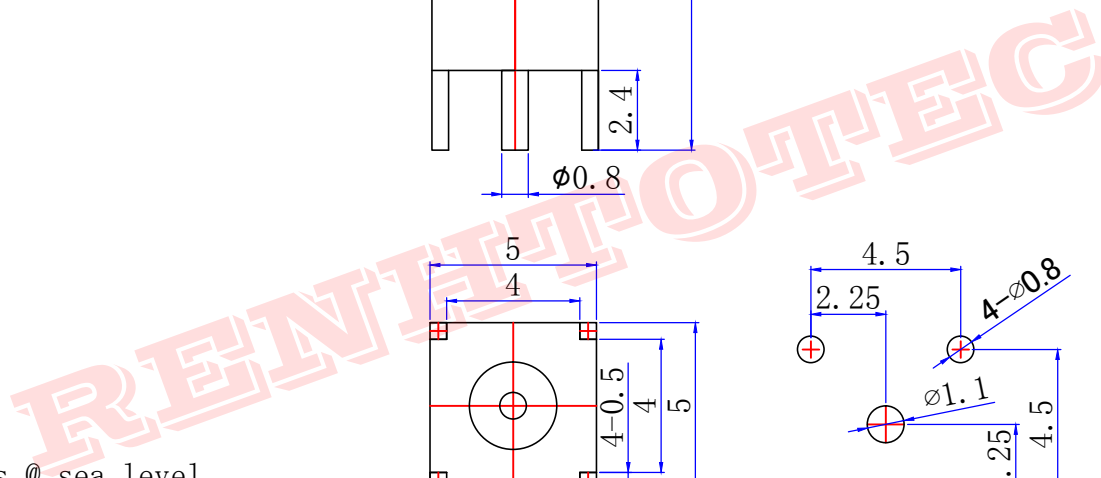


Product NO.	RHT-624-0005			
REV	DESCRIPTION	DWN	DATE	APPROVEN
A	First issue	Mr:chen	2017/2/13	John kine



Specifications:

IMPEDANCE: 50 Ohms
 Frequency range: 0~6GHZ
 VSWR: 1.5MAX
 Working voltage: 500V rms @ sea level
 Insulation resistance: 5000 Ohms min
 Temperature range: -55°C TO +155°C
 Relative temperature: ≤95% (40° C ± 2° C)



1	Body	Brass	gold	NOTE:	Tolerance	0-6	±0.10	RENHOTEC GROUP www.renhotec.com	Name: SSMA JACK FOR PCB
2	Insulator	TEFLON	White			6-30	±0.20		
3	CONTACT PIN	BRASS	gold			30-120	±0.30		
4	FERRULE	BRASS	NICKEL			Angular	±2°		
5				DRAWN	2017/02/	View		SIZE A	Product NO. RHT-624-0005
6				Zelin.chen	13				
7				CHECKED					
8						UNIT	MM	Date	Time
9						SCALE	1:1		
10	Component Number	Material	Finish	APPROVALS	13/02.2017			D/company drawings/BD	SHEET: 1 OF 1
	1	2	Kine	3	4	5	6		