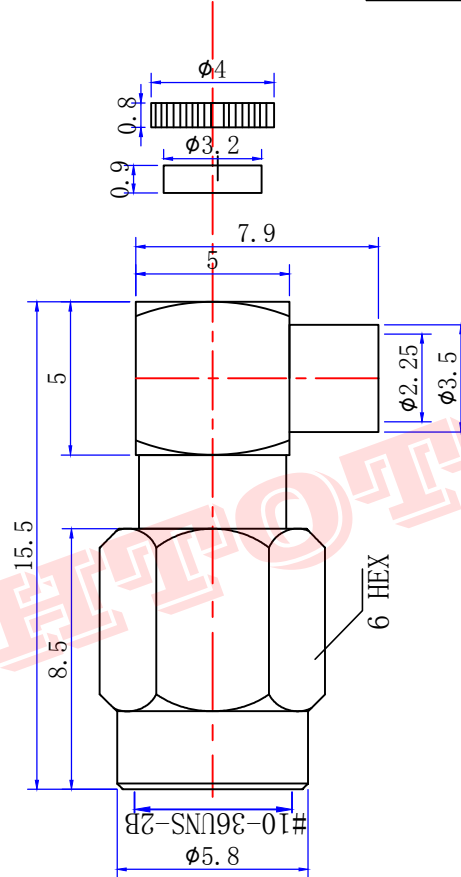


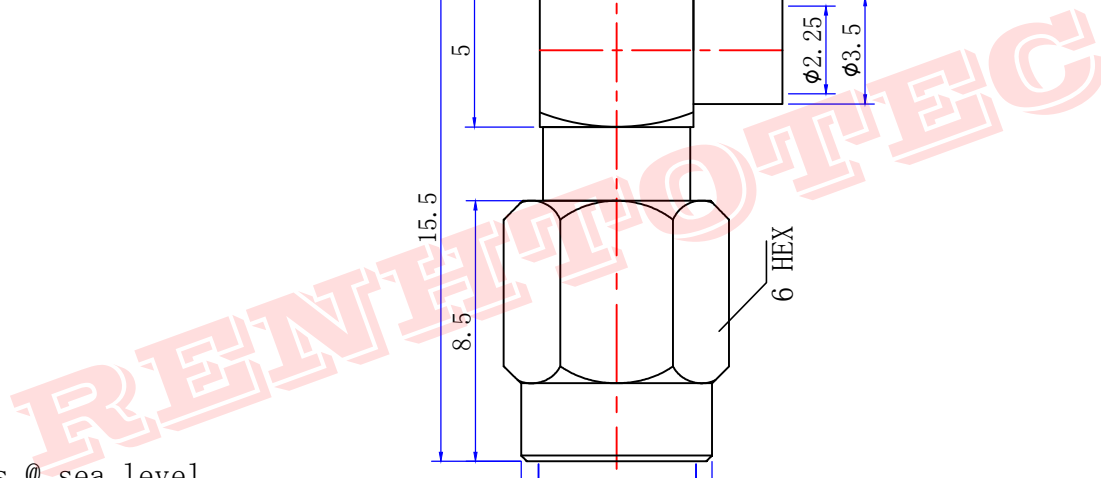


Product NO.	RHT-624-0002			
REV	DESCRIPTION	DWN	DATE	APPROVEN
A	First issue	Mr:chen	2017/2/13	John kine



Specifications:

IMPEDANCE: 50 Ohms
 Frequency range: 0~6GHZ
 VSWR: 1.5MAX
 Working voltage: 500V rms @ sea level
 Insulation resistance: 5000 Ohms min
 Temperature range: -55°C TO +155°C
 Relative temperature: ≤95% (40° C ± 2° C)



1	Body	Brass	gold	NOTE:	Tolerance	0-6	±0.10	RENHOTEC GROUP www.renhotec.com
2	Insulator	TEFLON	White			6-30	±0.20	
3	CONTACT PIN	BRASS	gold			30-120	±0.30	
4	FERRULE	BRASS	NICKEL			Angular	±2°	
5				DRAWN	2017/02/	View		Name: SSMA R/A PLUG FOR RG405 CABLE
6				Zelin.chen	13			
7				CHECKED				
8						UNIT	MM	SIZE
9								A
10				APPROVALS				Product NO. RHT-624-0002
NO	Component Number	Material	Finish	John	13/02.2017	SCALE	1:1	REV
				Kine				a
						DateTime	2017/2/13	CAD FILE
						D/company drawings/BD		SHEET: 1 OF 1