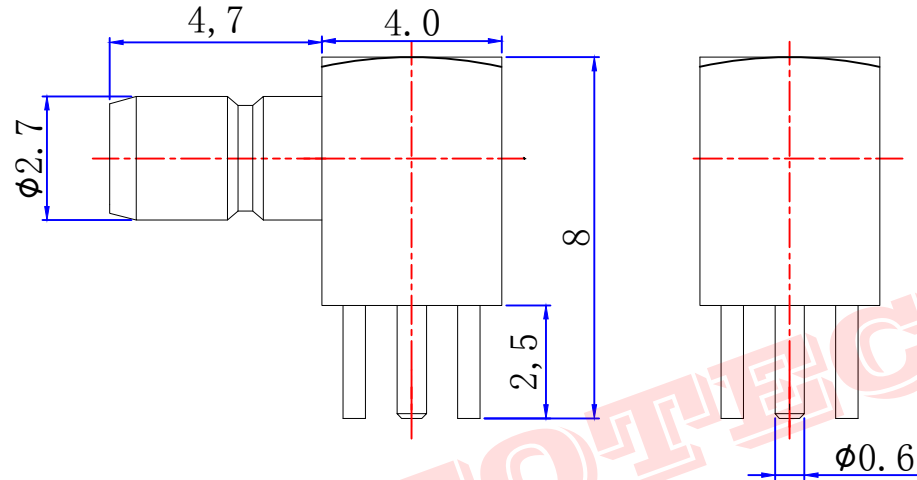


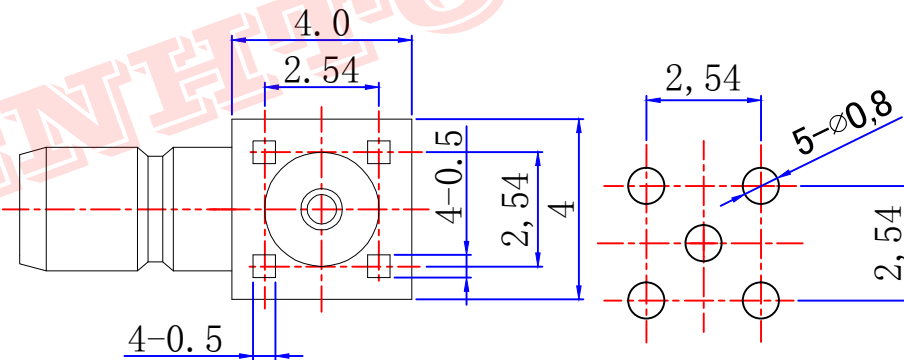


Product NO.	RHT-622-0004			
REV	DESCRIPTION	DWN	DATE	APPROVEN
A	First issue	Mr. CHEN	2017/6/20	John kine



Specifications:

IMPEDANCE: 50 Ohms
 Frequency range: 0~8GHZ
 VSWR: 1.5MAX
 Working voltage: 500V rms @ sea level
 Insulation resistance: 5000 Ohms min
 Temperature range: -65°C TO +165°C
 Relative temperature: ≤95% (40° C ±2° C)



1	Body	Brass	GOLD	NOTE:	Tolerance	0-6	±0.10	RENHOTEC GROUP www.renhotec.com	
2	Insulator	TEFLON	White			6-30	±0.20		
3	Center contact	Phosphor	GOLD			30-120	±0.30		
4					Angular	±2°			
5				DRAWN	View			Name: SSMB JACK FOR PCB CONNECTOR	
6				Zelin. Zhang					
7				CHECKED	UNIT	MM	SIZE	Product NO. RHT-622-0004	
8					SCALE	1:1	A		REV
9				APPROVALS			DateTime	CAD FILE	SHEET: 1 OF 1
10	Component Number	Material	Finish	John			2017/6/20	D/company drawings/BD	
	1	2	Kine	3	4	5	6		