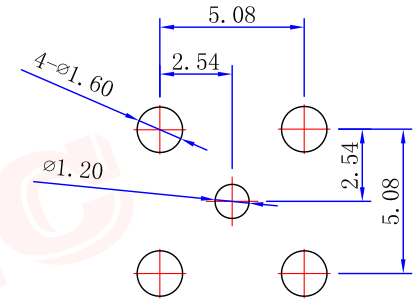
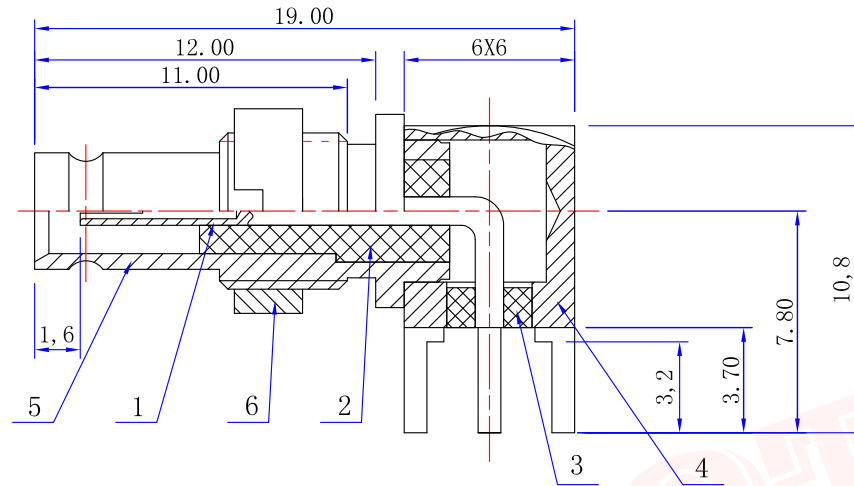


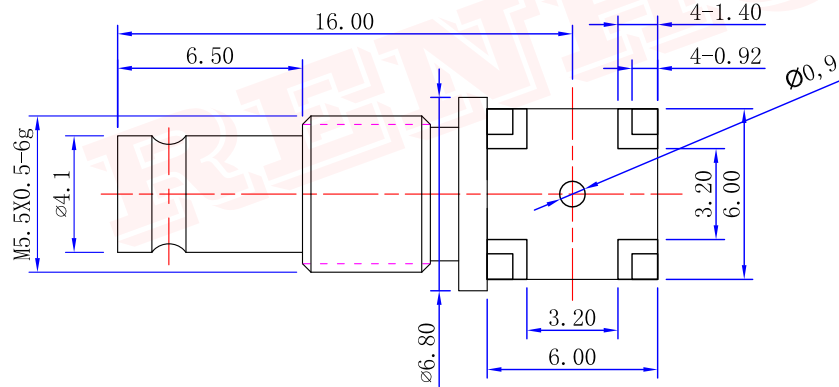
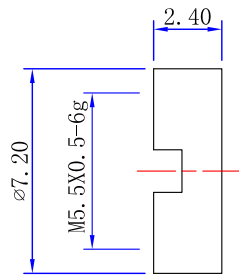


Product NO. RHT-618-0716

ISSUE	DESCRIPTION	DWN	DATE	APPROVEN
First	First issue	Gavin	2018/11/08	JIM. KING



PCB LAYOUT

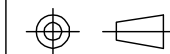


NO	DESCRIPTION	MATERIAL	FINISH	QTY
6	NUT	BRASS	NICKEL	1
5	SHELL	BRASS	GOLD	1
4	SHELL	BRASS	GOLD	1
3	INSULATOR	POM	WHITE	1
2	INSULATOR	POM	WHITE	1
1	PIN	BRASS	GOLD	1

-TOLERANCES-
UNLESS OTHERWISE
SPECIFIED



RENHOTEC GROUP



PART DESCRIPTION:
1.0-2.3 Jack PCB Mount

UNLESS OTHERWISE SPECIFIED
TOLERANCES FOR MILLIMETERS ARE:
0.5 - 8mm ± 0.10mm
8 - 30mm ± 0.15mm
30 - 120mm ± 0.20mm

Appr: JIM. KING

P/N: RHT-618-0716

Check:

Date

Scale

Unit

Type

Page

Draw:

Gavin

2018. 11. 08

Free

MM

Z

1/1