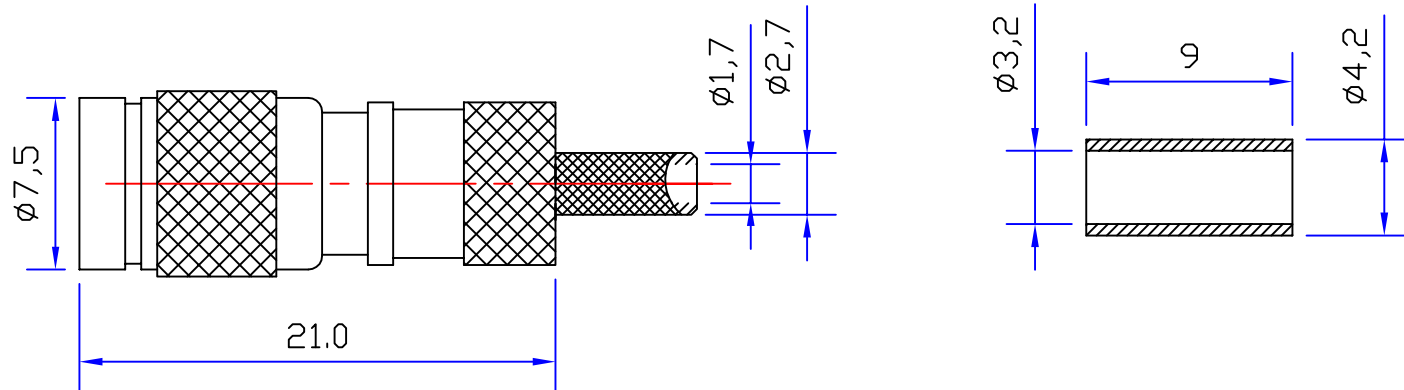




Product NO.		RHT-618-0690			
REV	DESCRIPTION	DWN	DATE	APPROVEN	
A	First issue	Gacin	2017/12/01	JIM. KING	



Electrical :

- Impedance : 75 ohm
- Frequency Range : 0~6 GHz .
- Voltage Rating : 500 V rms.
- Insulator Resistance : $\geq 5GW$
- Dielectric Withstanding Voltage : 1500 V rms .
- Contact Resistance : Center Contact $\leq 3mW$.
- Outer Contact $\leq 25mW$.

Temperature Range : -65°C to 165°C

Mechanical :

MatinG : Screw-on / Snap-on / Slide-on / Quick-Lock Coupling.

1	Body	BRASS	Gold:1-1.5u"
2	Contact pin	BeCu	Gold:1-1.5u"
3	Insulation	PTFE	None
4			
5			
NO	Component Number	Material	Finish

-TOLERANCES- UNLESS OTHERWISE SPECIFIED		RENHOTEC GROUP	
		Title: 1.0-2.3 PLUG FOR RG179 CABLE	
0. ± 0.15	0.° $\pm 30^\circ$	Appd: JIM. KING	P/N: RHT-618-0690
0.0 ± 0.10	0.0° $\pm 25^\circ$	Check:	Date
0.00 ± 0.05	0.00° $\pm 20^\circ$	Draw.: Gacin	Scale
			Unit
			Type
			Page
			2017.12.01
			Free
			MM
			Z
			1/1