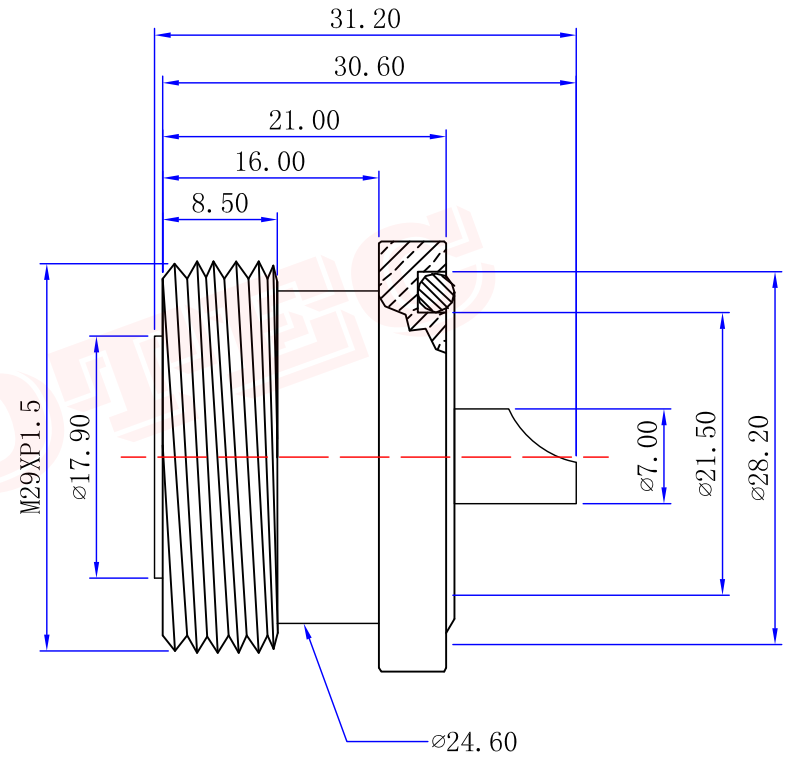
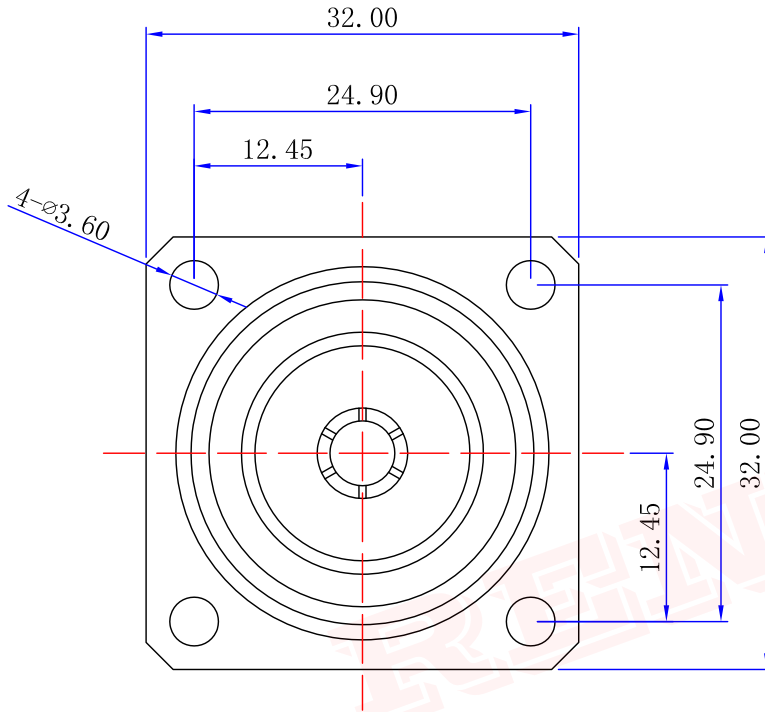




Product NO.			RHT-618-0455		
ISSUE	DESCRIPTION	DWN	DATE	APPROVEN	
First	First issue	Gavin	2018/06/09	JIM. KING	



NOTE:

ELECTRIC PERFORMANCE
 IMPEDANCE (Ω) : 50
 FREQUENCY RANGE : DC-6GHz
 VSWR : ≤ 1.065 (DC-3GHz)
 : ≤ 1.2 (3-6GHz)
 INSERT LOSS (dB) : ≤ 0.1
 PIM(dBc) : ≤ -160 (2X43dBm)
 INSULATION RESISTANCE ($M\Omega$) : >5000
 PROOF VOLTAGE(V) : 2500
 CONDUCTOR RESISTANCE ($m\Omega$) : OUTER CONDUCTOR <0.2
 INNER CONDUCTOR <0.8

4	GASKEL	SILICONE	RED	1
3	PIN	BRASS	SILVER	1
2	INSUKATON	PTFE	NATUPAL	1
1	BODY	BRASS	NICKEL	1
NO	DESCRIPTION	MATERIAL	FINISH	QTY

-TOLERANCES- UNLESS OTHERWISE SPECIFIED UNLESS OTHERWISE SPECIFIED TOLERANCES FOR MILLIMETERS ARE: 0.5 - 8mm ± 0.10 mm 8 - 30mm ± 0.15 mm 30 -120mm ± 0.20 mm	RENHOTEC GROUP www.renhotec.com		PART DESCRIPTION: 7/16 JACK CONNECTORS			
	Appr: JIM. KING Check: Draw: Gavin	P/N: RHT-618-0455 Date: 2018.06.09		Scale: Free	Unit: MM	Type: Z Page: 1/1