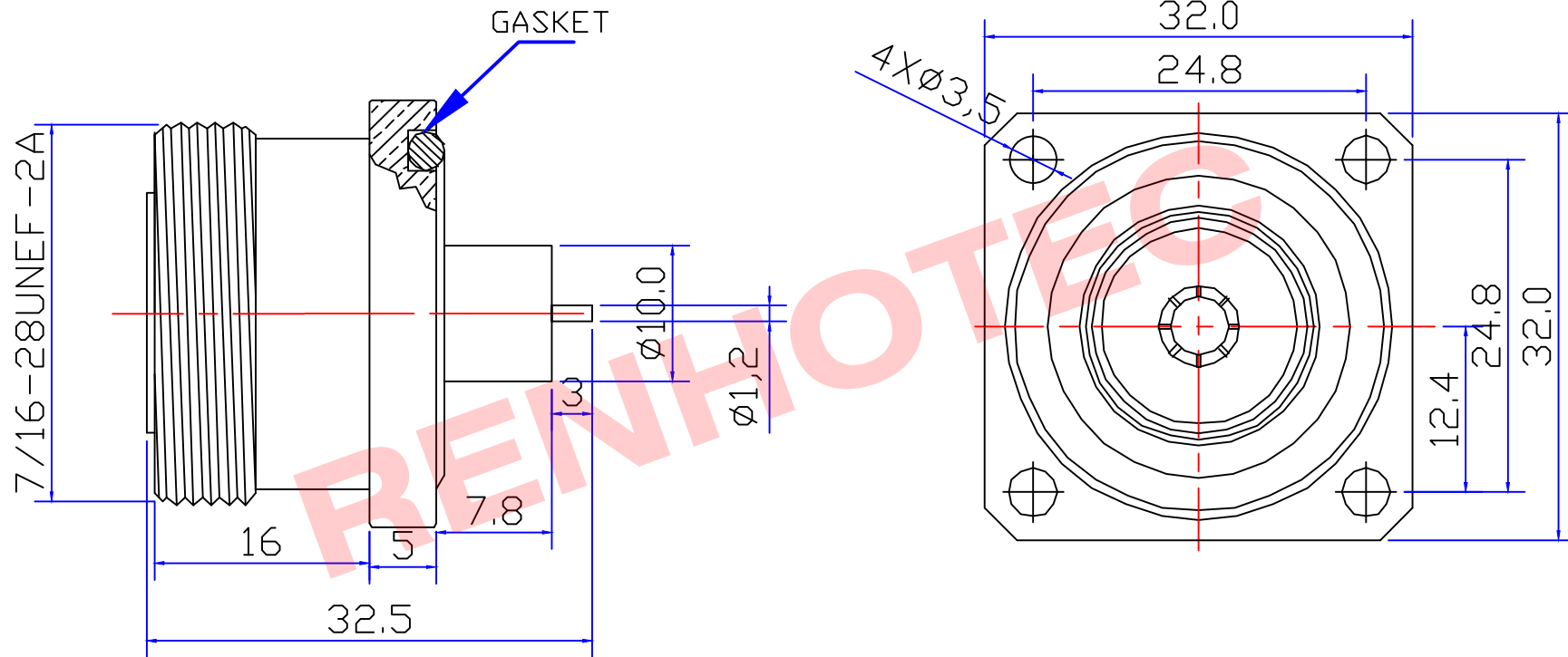




Product NO.	RHT-618-0356			
REV	DESCRIPTION	DWN	DATE	APPROVEN
A	First issue	Mr. CHEN	2015/7/26	JIM KING



NOTE:
DRAWN Zelin.li 2015/07/26
CHECKED

Tolerance	0-6 ±0.10 6-30 ±0.20 30-120 ±0.30 Angular ±2°
View	
UNIT	MM
SCALE	1:1



RENHOTEC GROUP

Name: 7/16 PANEL RECEPTACLE JACK 4 HOLE FLANGE-EXT. TEFLON	
SIZE A	Product NO. RHT-618-0356
DateTime	CAD FILE
2015/7/26	D/company drawings/BD
REV A	SHEET: 1 OF 1

4	GASKET	SILICONE	RED	1
3	CONTACT PIN	BRASS	SILVER	1
2	INSULATOR	TEFLON	NATURAL	1
1	BODY	BRASS	NEXCOTE	1
	DESCRIPTION	MATERIAL	FINISH	QTY

APPROVALS
John Kine 26/07.2015