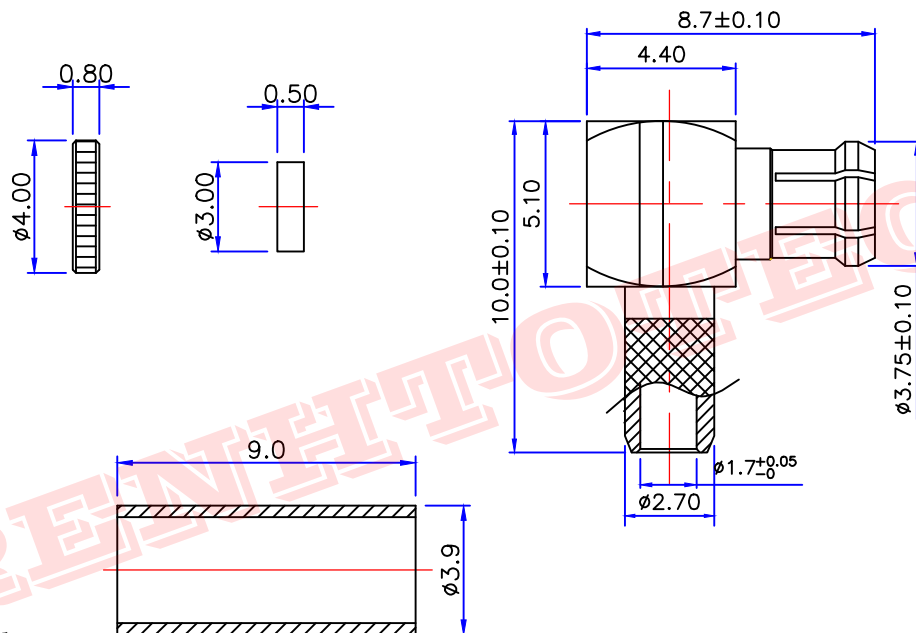




Product NO.	RHT-617-0130			
REV	DESCRIPTION	DWN	DATE	APPROVEN
A	First issue	Mr. CHEN	2016/9/03	John kine



Specifications

Impedance: 50 Ohms
 Frequency Range: 0~6Ghz
 VSWR: 1.25max
 Working Voltage: <170 V rms @ sea level
 Insulation Resistance: 5000 Ohms min
 Temperature Range: -65°C TO +165°C
 Drawings products are in line with ROHS standards

1	Body	Brass	GOLD	1	NOTE:	Tolerance	0-6	±0.10	 RENHOTEC GROUP www.renhotec.com
2	Insulation	Teflon	White	1			6-30	±0.20	
3	Pin	Copper	GOLD	1			30-120	±0.30	
4	FERRULE	Brass	NICKEL	1			Angular	±2°	
5					DRAWN	2016/09/	View		Name: MCX PLUG R/A FOR RG316 CABLE
6					Zelin. CHEN	03			
7					CHECKED				
8							UNIT	MM	SIZE
9									A
10					APPROVALS	03/09.2016	SCALE	1:1	DateTime
NO	Component Number	Material	Finish	QTY	John Kine				2016/9/03
									CAD FILE
									D/company drawings/BD
									SHEET: 1 OF 1