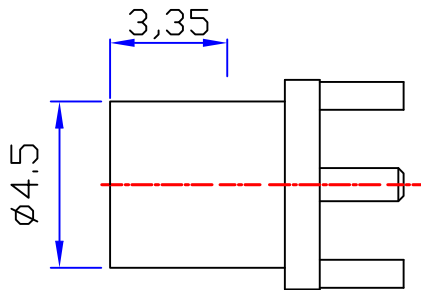


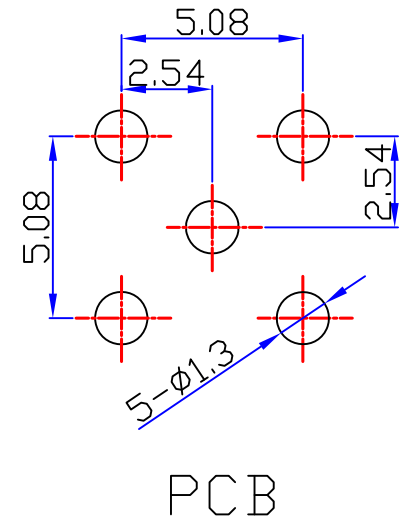
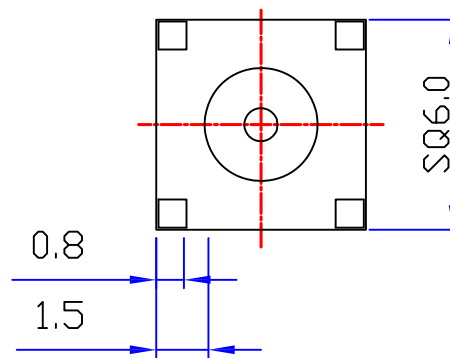


Product NO.		RHT-617-0102			
REV	DESCRIPTION	DWN	DATE	APPROVEN	
A	First issue	SAM	2017/01/10	JIM.KING	



Specifications:

IMPEDANCE: 75 Ohms
 Frequency range: 0~6GHZ
 VSWR: 1.5MAX
 Working voltage: 500V rms @ sea level
 Insulation resistance: 5000 Ohms min
 Temperature range: -55°C TO +155°C
 Relative temperature: ≤95% (40° C ±2° C)



1	Body	Brass	Au:1u"
2	Insulator	TEFLON	White
3	Center contact	Phosphor	Au:3u"
4			
5			
6			
7			
8			
9			
10			
NO	Component Number	Material	Finish

-TOLERANCES- UNLESS OTHERWISE SPECIFIED		RENHOTEC GROUP	
			Title: MCX JACK FOR PCB CONNECTOR
0. ±.15	0° ±3.0°	Appd:	P/N: RHT-617-0102
0.0 ±.10	0.0° ±2.5°	Check: Xiong Tan	Date
0.00 ±.05	0.00° ±2.0°	Draw: Owen	Scale
		2017.01.10	Unit
		Free	Type
		MM	Page
		Z	1/1