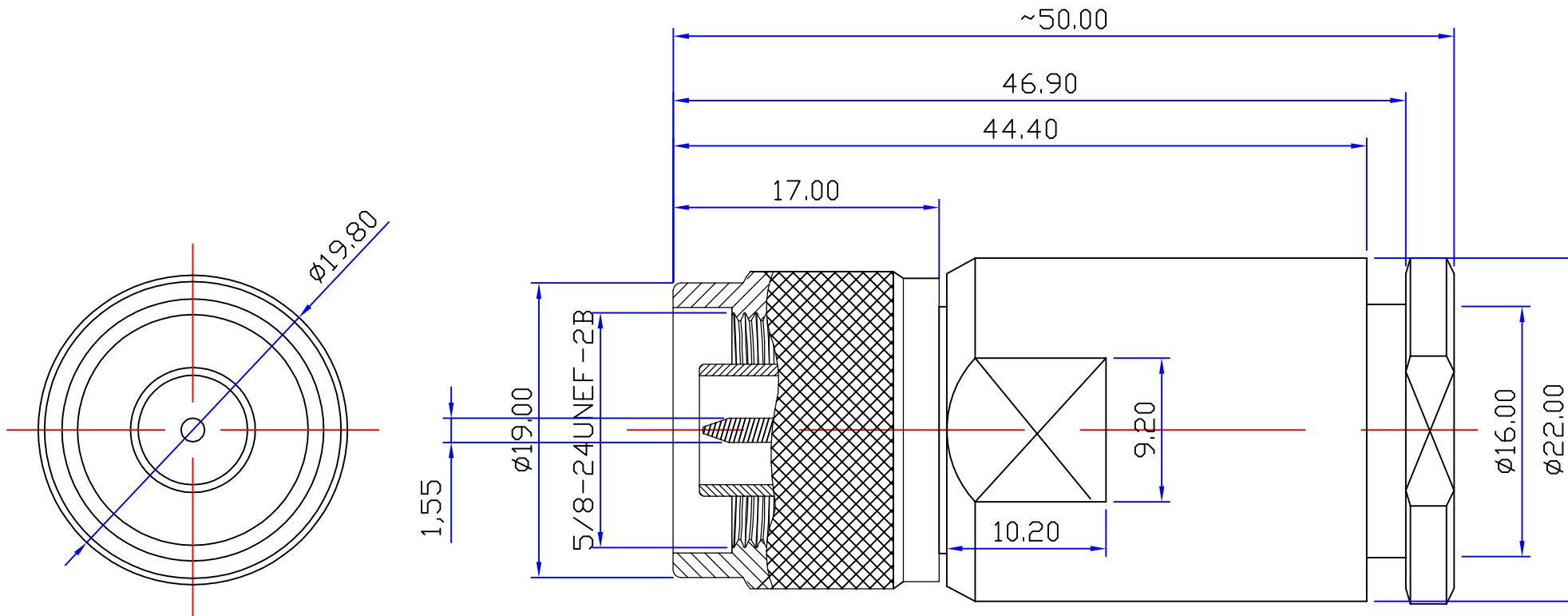




Product NO.		RHT-614-0220			
REV	DESCRIPTION	DWN	DATE	APPROVEN	
A	First issue	Gavin	2018/03/12	JIM.KING	



Specifications

Impedance: 50 Ohms

Frequency Range: 0-6G

VSWR: 1.3MAX

Working Voltage: 1000 VRMS (max at sea level)

Dielectric Withstanding Voltage: 1500 vrms (max at sea level)

Insulation Resistance: 5000 Ohms min

Durability Mating: 500 Cycles min

Temperature Range: -65°C TO +165°C

3	PIN	BRASS	GOLD	1
2	INSUKATON	PTFE	NONE	1
1	BODY	BRASS	NIACEL	1
NO	DESCRIPTION	MATERIAL	FINISH	QTY

-TOLERANCES- UNLESS OTHERWISE SPECIFIED UNLESS OTHERWISE SPECIFIED TOLERANCES FOR MILLIMETERS ARE: 0.5 - 8mm \pm 0.20mm 8 - 30mm \pm 0.40mm 30 - 120mm \pm 0.50mm	RENHOTEC GROUP www.renhotec.com		PART DESCRIPTION: N PLUG FOR LMR600 CABLE			
	Appd: JIM.KING Check: Draw: Gavin	P/N: RHT-614-0220 Date: 2018/03/12		Scale: Free	Unit: MM	Type: Z Page: 1/1