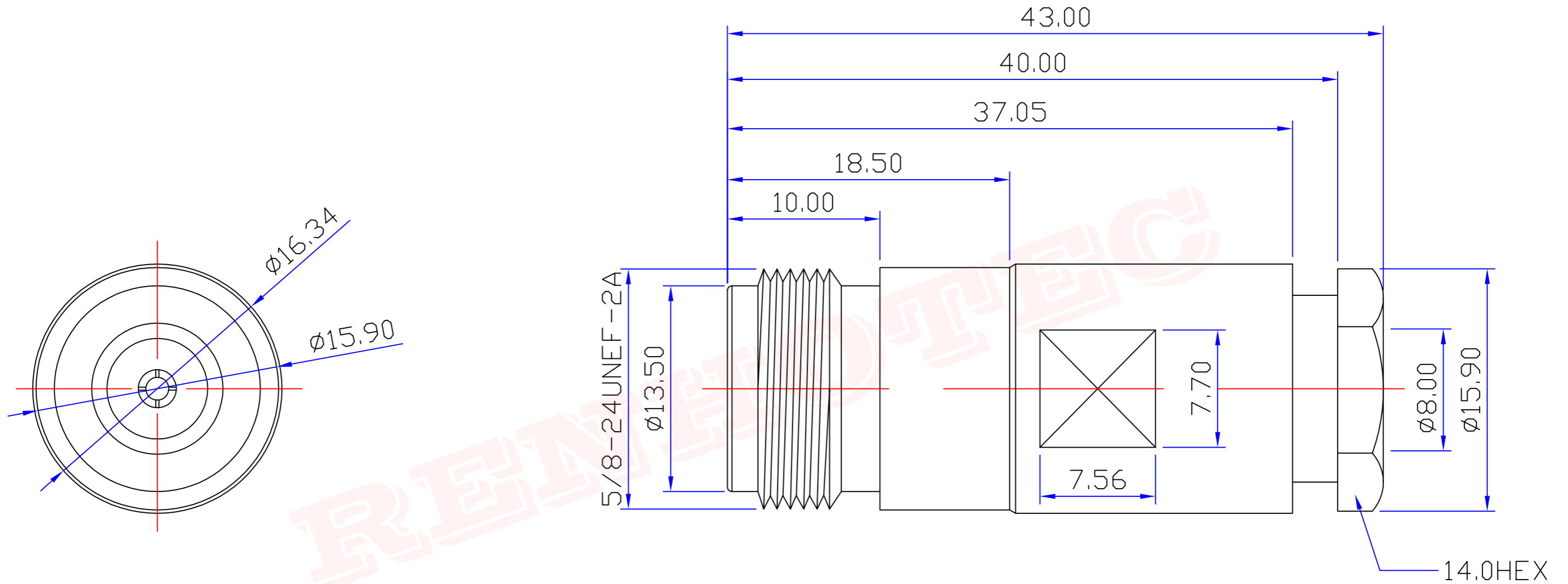




Product NO.		RHT-614-0194			
REV	DESCRIPTION	DWN	DATE	APPROVEN	
A	First issue	Gavin	2018/03/12	JIM. KING	



Specifications

Impedance: 50 Ohms
 Frequency Range: 0-11G
 VSWR: 1.3MAX
 Working Voltage: 1000 VRMS (max at sea level)
 Dielectric Withstanding Voltage: 1500 vrms (max at sea level)
 Insulation Resistance: 5000 Ohms min
 Durability Mating: 500 Cycles min
 Temperature Range: -65°C TO +165°C

3	PIN	BRASS	GOLD	1
2	INSUKATON	TEFLON	WHITE	1
1	BODY	BRASS	NICKEL	1
NO	DESCRIPTION	MATERIAL	FINISH	QTY

-TOLERANCES- UNLESS OTHERWISE SPECIFIED	RENHOTEC GROUP www.renhotec.com				
	PART DESCRIPTION: N JACK FOR RG59 CABLE				
UNLESS OTHERWISE SPECIFIED TOLERANCES FOR MILLIMETERS ARE: 0.5 - 8mm ± 0.20mm 8 - 30mm ± 0.40mm 30 - 120mm ± 0.50mm	Appd: JIM. KING	P/N: RHT-614-0194			
	Check:	Date	Scale	Unit	Type
Draw: Gavin	2018/03/12	Free	MM	Z	1/1