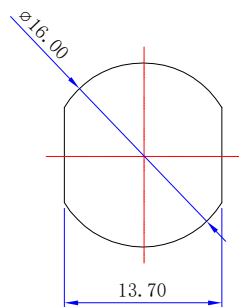
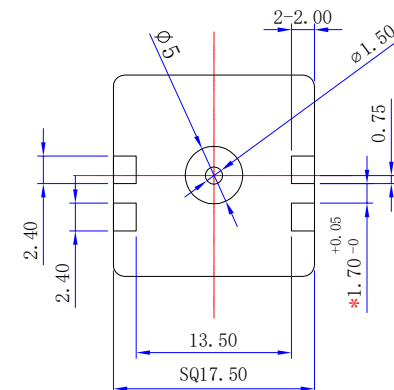
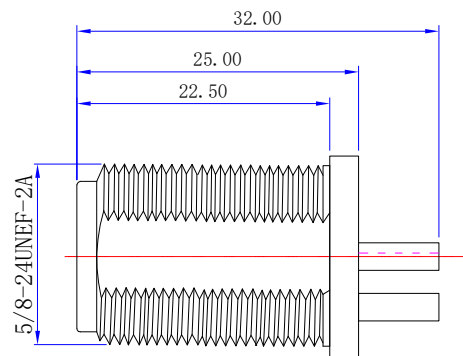
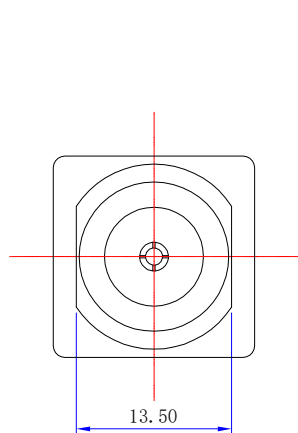
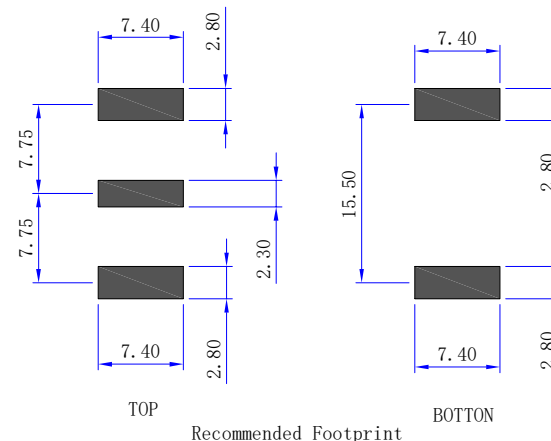
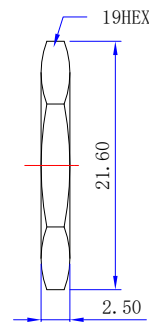
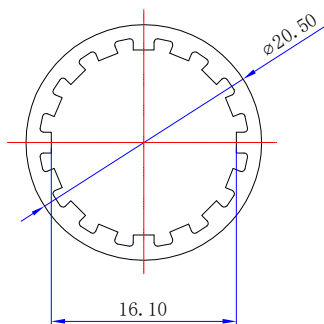




Product NO.		RHT-614-0146			
REV	DESCRIPTION	DWN	DATE	APPROVEN	
A	First issue	Mr Wang	2020/03/27	JIM. KING	
B	Increase rubber core size	Gavin	2020/10/30	JIM. KING	



Recommended opening size



**Specifications**

Impedance: 50 Ohms  
 Frequency Range: 0-6G  
 VSWR: 1.3MAX  
 Working Voltage: 1000 VRMS (max at sea level)  
 Dielectric Withstanding Voltage: 1500 vrms (max at sea level)  
 Insulation Resistance: 5000 Ohms min  
 Durability Mating: 500 Cycles min  
 Temperature Range: -40°C TO +125°C

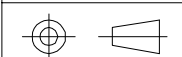
5	UNT	BRASS	NICKEL	1
4	CASKEL	Iron	NICKEL	1
3	PIN	Be-Cu	GOLD	1
2	INSULATOR	PTFE	NONE	1
1	BODY	BRASS	NICKEL	1
NO	DESCRIPTION	MATERIAL	FINISH	QTY

-TOLERANCES-  
UNLESS OTHERWISE  
SPECIFIED

UNLESS OTHERWISE SPECIFIED  
TOLERANCES FOR MILLIMETERS ARE:  
 0.5 - 8mm ± 0.20mm  
 8 - 30mm ± 0.25mm  
 30 - 120mm ± 0.30mm



**RENHOTEC GROUP**



PART DESCRIPTION:  
N-TYPE End lounch Bulkhead Jack Receptacle

Appd: JIM. KING

P/N: RHT-614-0146

Check:

Date	Scale	Unit	Type	Page
------	-------	------	------	------

Draw: Gavin

2020. 10. 30	Free	MM	Z	1/1
--------------	------	----	---	-----