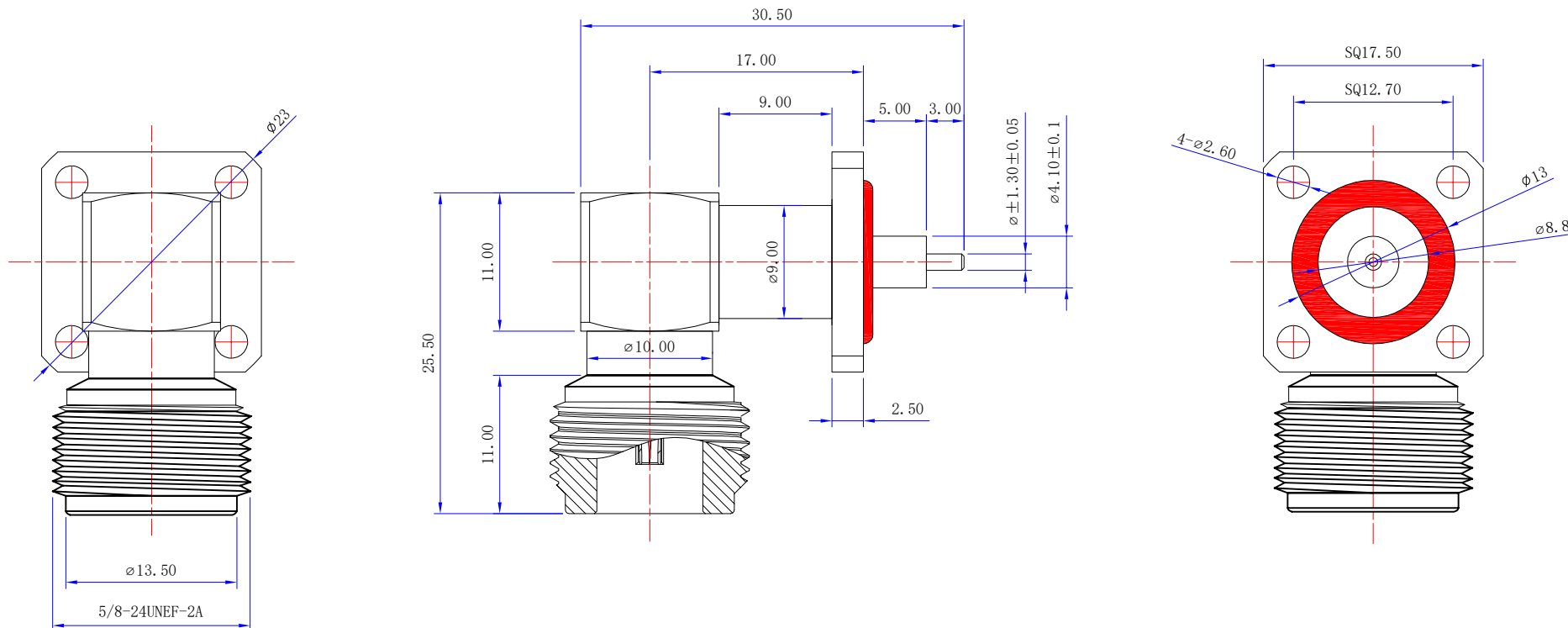




Product NO.		RHT-614-0145		
REV	DESCRIPTION	DWN	DATE	APPROVEN
R1.0	First issue	Gavin	2017/02/28	JIM. KING
R2.0	Add electrical parameters	Gavin	2020/11/17	JIM. KING



Specifications

Impedance: 50 Ohms
 Frequency Range: 0-6G
 VSWR: 1.5MAX
 Working Voltage: 1000 VRMS (max at sea level)
 Dielectric Withstanding Voltage: 1500 vrms (max at sea level)
 Insulation Resistance: 5000 MOhms min
 Durability Mating: 500 Cycles min
 Temperature Range: -65°C TO +165°C

3	PIN	BRASS	GOLD	1
2	INSUKATON	PTFE	NONE	1
1	BODY	BRASS	NICKEL	1
NO	DESCRIPTION	MATERIAL	FINISH	QTY

-TOLERANCES- UNLESS OTHERWISE SPECIFIED	RENHOTEC GROUP				
	PART DESCRIPTION: N JACK Waterproof Flange CONNECTORS				
UNLESS OTHERWISE SPECIFIED TOLERANCES FOR MILLIMETERS ARE: 0.5 - 8mm ± 0.25mm 8 - 30mm ± 0.30mm 30 - 120mm ± 0.40mm	Appd: JIM. KING	P/N: RHT-614-0145			
Check:	Date	Scale	Unit	Type	Page
Draw: Gavin	2020/11/17	Free	MM	Z	1/1