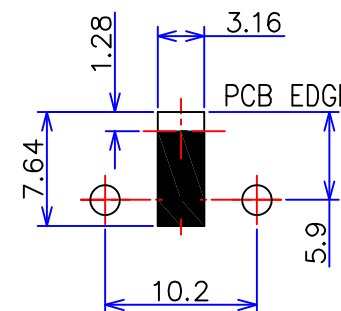
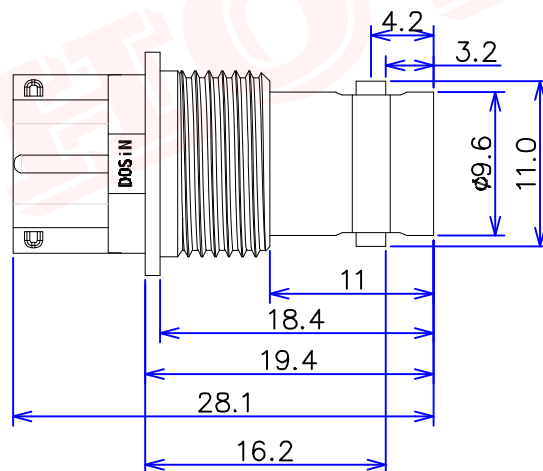
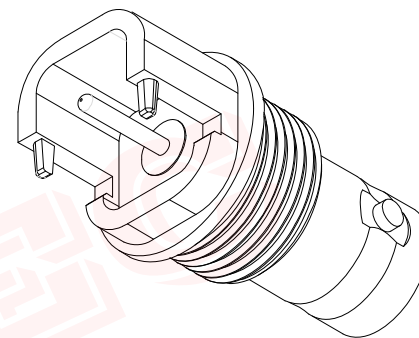
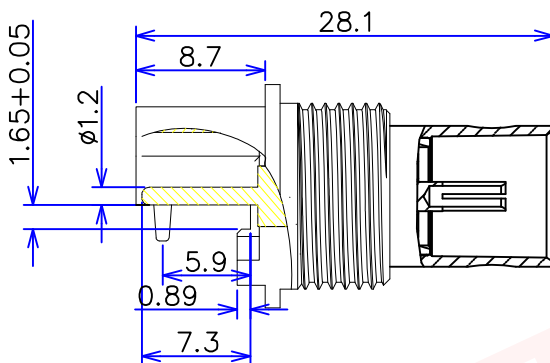
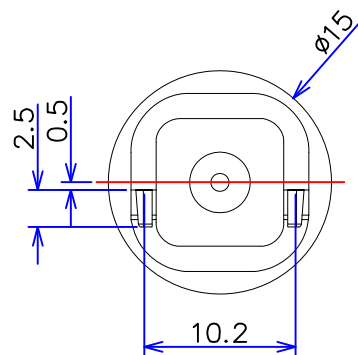




Product NO.		RHT-610-1100			
REV	DESCRIPTION	DWN	DATE	APPROVEN	
A	First issue	Gavin	2019/08/23	JIM. KING	



PCB MOUNTING HOLE

Specifications

Impedance: 75 Ohms  
 Frequency Range: DC~3G  
 VSWR: 1.3MAX  
 Working Voltage: 500V rms @ sea level  
 Insulation Resistance: 5000 Ohms min  
 Temperature Range: -40°C TO +125°C  
 Relative Temperature: ≤95% (40° C ± 2° C)

4	Contact Pin	Phosphor Copper	Gold	1
3	Insulating	PTFE	Natural	1
2	Lock Ring	BRASS	NICKEL	1
1	BODY	Zinc	Gold	1
NO	DESCRIPTION	MATERIAL	FINISH	QTY

-TOLERANCES- UNLESS OTHERWISE SPECIFIED  UNLESS OTHERWISE SPECIFIED TOLERANCES FOR MILLIMETERS ARE: 0.5 - 8mm ± 0.20mm 8 - 30mm ± 0.25mm 30 - 120mm ± 0.30mm			<b>RENHOTEC GROUP</b>			
	Appd: JIM. KING Check: Gavin Draw: Gavin		PART DESCRIPTION: RHT-610-1100 P/N: BNC JACK CONNECTOR			
		Date	Scale	Unit	Type	Page
		2019.08.23	Free	MM	Z	1/1