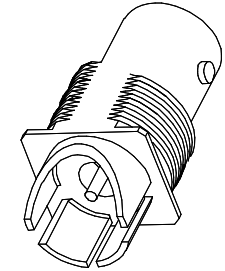
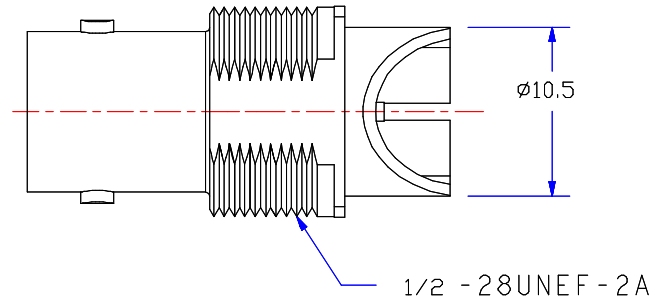
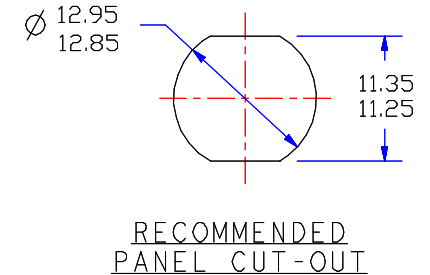
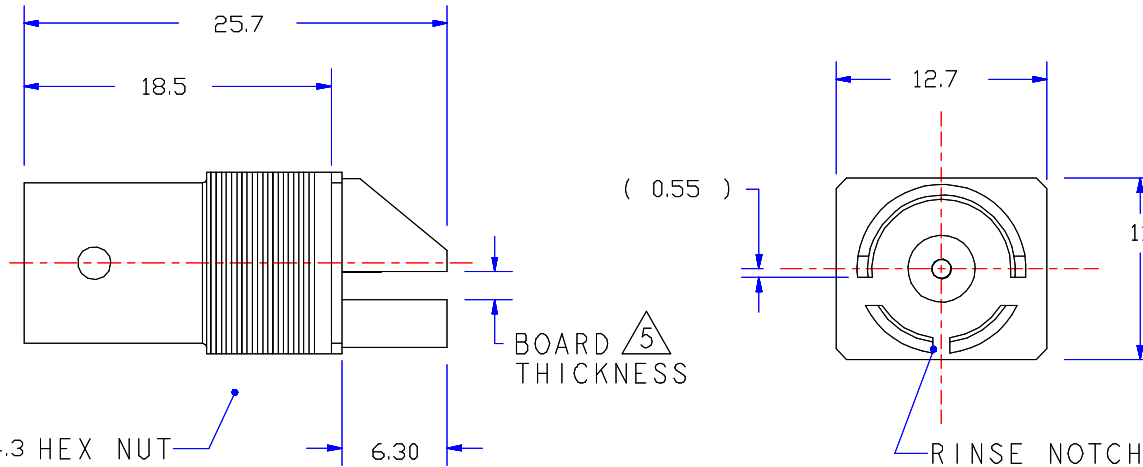




Product NO.	Renhotec-610-0058			
REV	DESCRIPTION	DWN	DATE	APPROVEN
A	First issue	Mr. Wang	2016/3/10	John kine



SCALE 2/1



**Specifications**

Impedance: 75 Ohms  
 Frequency Range: DC~3G  
 VSWR: 1.3MAX  
 Working Voltage: 500V rms @ sea level  
 Insulation Resistance: 5000 Ohms min  
 Temperature Range: -55°C TO +155°C  
 Relative Humidity:  $\leq 95\%$  (40°C  $\pm 2^\circ$  C)  
 Drawings products are in line with ROHS standards

NOTE:		Tolerance	0-6	$\pm 0.10$
DRAWN	2016/03/10		6-30	$\pm 0.20$
Zelin. Zhang		30-120	$\pm 0.30$	
CHECKED		Angular	$\pm 2^\circ$	
APPROVALS		View		
John Kine 19.03.2016		UNIT	MM	
		SCALE	1:1	



**RENHOTEC GROUP**

Name: BNC JACK CONNECTOR

3	INSULATOR	POM	NONE	1
2	CONTACT	Brass	GOLD	1
1	BODY	ZINC	GOLD	1
NO	DESCRIPTION	MATERIAL	FINISH	QTY

SIZE	Product NO. RENHOTEC-610-0058	REV
A		B
DateTime	CAD FILE	SHEET: 1 OF 1
2016/3/10	D/company drawings/BD	