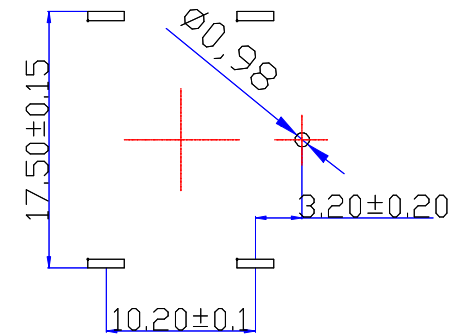
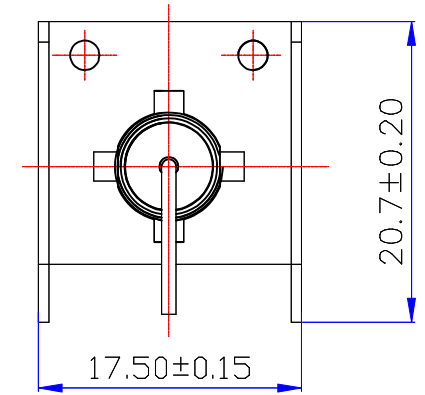
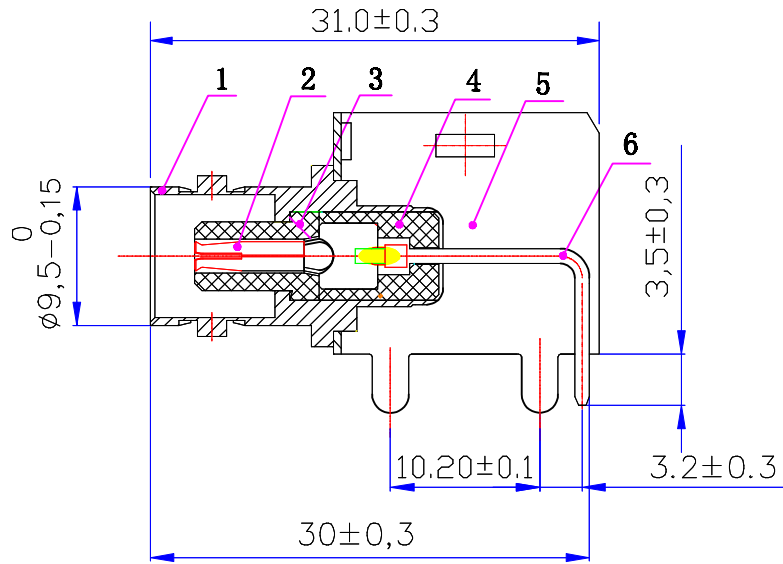
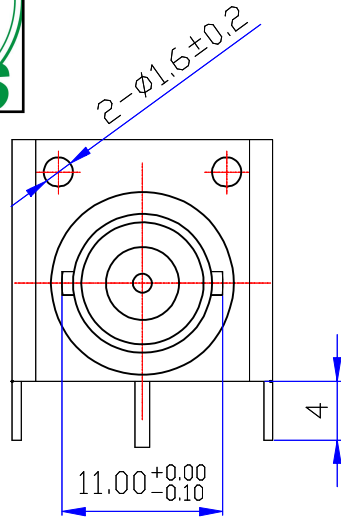




Product NO.	Renhotec-610-0043			
REV	DESCRIPTION	DWN	DATE	APPROVEN
A	First issue	Mr. Wang	2016/3/08	John kine



Recommended PCB size

**Specification:**

Impedance:50. Ohms

VSWR:1.3MAX

Frequency range:DC~4G

Working Voltage:500V rms @ sea level

Insulation resistance:5000 Ohms min

Temperature range:-55°C TO +155°C

Relative temperature:≤95%(40° C±2° C)

Drawings products are in line with ROHS standards.

6	PIN	BRASS	GOLD	1
5	Iron Bracket	Iron	NICKEL	1
4	Insulator	POM	WHITE	1
3	Insulator	POM	WHITE	1
2	PIN	BRASS	GOLD	1
1	BODY	ZINC	NICKEL	1
NO	DESCRIPTION	MATERIAL	FINISH	QTY

NOTE:	
DRAWN	2016/03/08
Zelin. Zhang	
CHECKED	
APPROVALS	8703.2016
John Kine	

Tolerance	0-6 ±0.10 6-30 ±0.20 30-120 ±0.30 Angular ±2°
View	
UNIT	MM
SCALE	1:1



**RENHOTEC GROUP**

Name: BNC JACK CONNECTOR			
SIZE A	Product NO. RENHOTEC-610-0043	REV	B
DateTime	2016/3/08	CAD FILE	D/company drawings/BD
SHEET: 1 OF 1			