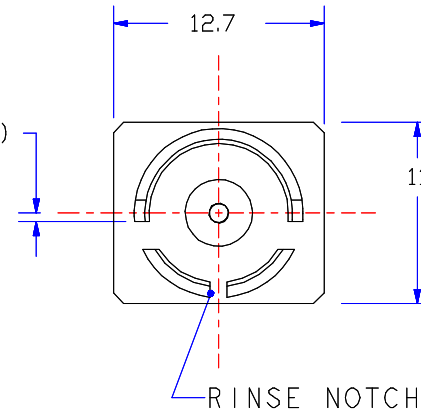
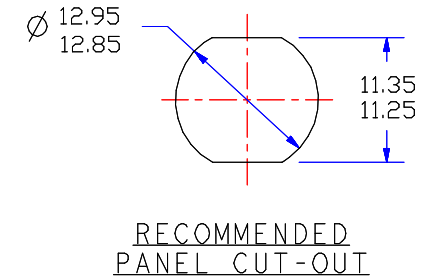


BOARD THICKNESS  $\triangle 5$  ( 0.55 )



SCALE 2 / 1



**Specification:**

Impedance: 75. Ohms

VSWR: 1.3MAX

Frequency range: DC~4G

Working Voltage: 500V rms @ sea level

Insulation resistance: 5000 Ohms min

Temperature range: -55°C TO +155°C

Relative temperature: ≤95%(40° C±2° C)

Drawings products are in line with ROHS standards.

**NOTE:**

Tolerance

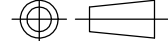
0-6 ±0.10  
6-30 ±0.20  
30-120 ±0.30  
Angular ±2°



**RENHOTEC GROUP**

DRAWN Zelin. Zhang 2016/03/05

View



Name: BNC CONNECTOR DNN

CHECKED

UNIT

MM

SIZE A Product NO. RENHOTEC-610-0040

APPROVALS John Kine 09.03.2016

SCALE

1:1

DateTime 2016/3/05

CAD FILE D/company drawings/BD

SHEET: 1 OF 1

NO	DESCRIPTION	MATERIAL	FINISHED	QTY
D				
C	INSULATOR	TEFLON	WHITE	1
B	CONTACT PLATING	BRASS	GOLD	1
A	BODY	IRSITE	NICKEL	1