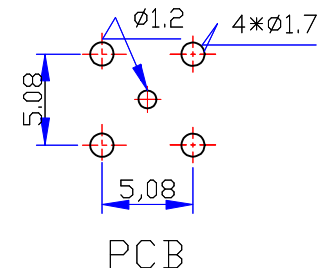
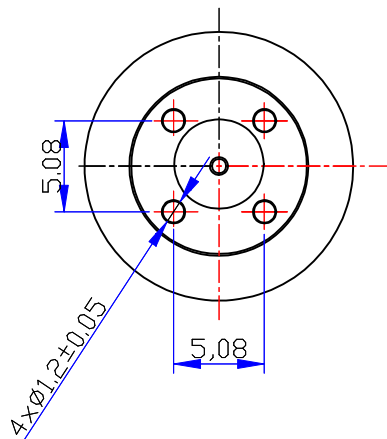
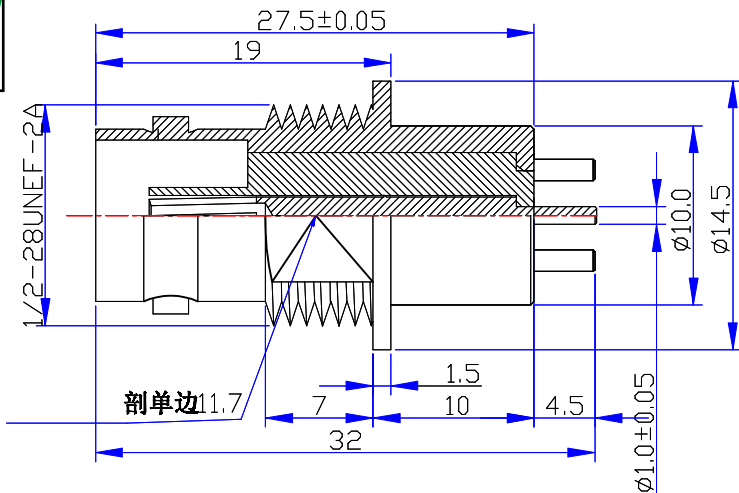


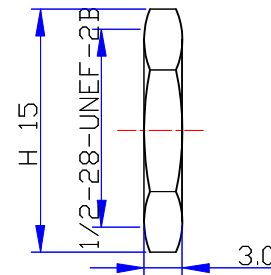
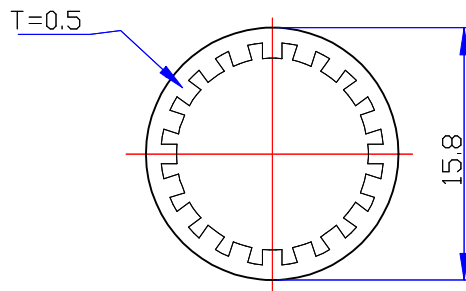


Product NO.	Renhotec-610-0026			
REV	DESCRIPTION	DWN	DATE	APPROVEN
A	First issue	Mr. Wang	2016/3/05	John kine



Specifications

Impedance: 50 Ohms
 Frequency Range: DC~3G
 VSWR: 1.3MAX
 Working Voltage: 500V rms @ sea level
 Insulation Resistance: 5000 Ohms min
 Temperature Range: -55°C TO +155°C
 Relative Temperature: ≤95% (40° C ± 2° C)
 Drawings products are in line with ROHS standards



NO	DESCRIPTION	MATERIAL	FINISHED	QTY
E	GASKET	TE	NICKEL	1
D	NUT	BRASS	NICKEL	1
C	INSULATOR	TEFLON	NONE	1
B	CONTACT PLATING	BRASS	GOLD	1
A	BODY	ZINC	NICKEL	1

NOTE:	
DRAWN	2016/03/05
Zelin. Zhang	
CHECKED	
APPROVALS	09.03.2016
John Kine	

Tolerance	0-6	±0.10
	6-30	±0.20
View	30-120	±0.30
	Angular	±2°
UNIT	MM	
SCALE	1:1	

RENHOTEC GROUP

Name: BNC JACK CONNECTOR DNN

SIZE A	Product NO. RENHOTEC-610-0026	REV B
DateTime	CAD FILE	SHEET: 1 OF 1
2016/3/05	D/company drawings/BD	