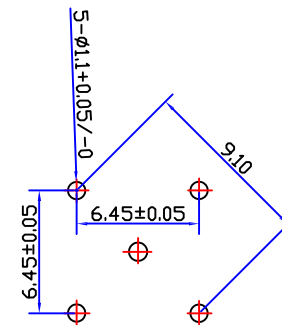
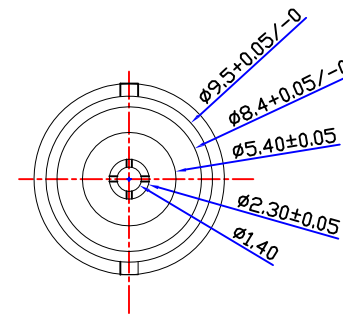
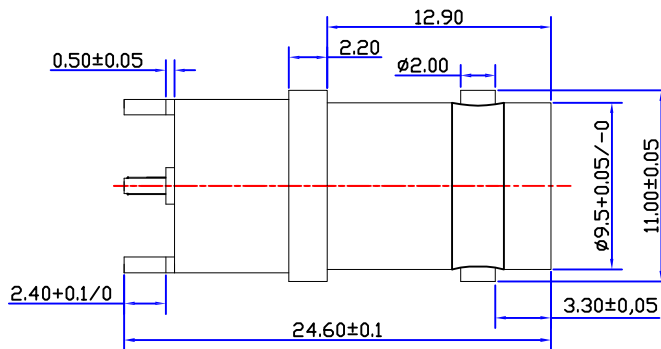
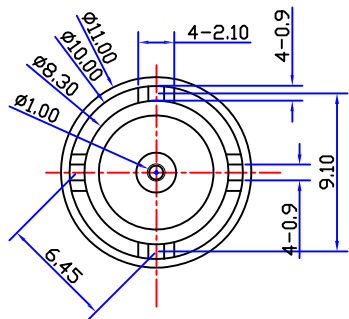




Product NO.	Renhotec-610-0024			
REV	DESCRIPTION	DWN	DATE	APPROVEN
A	First issue	Mr. chen	2016/5/19	John kine



Specifications

Impedance:50 Ohms
 Frequency Range:DC~3G
 VSWR:1.3MAX
 Working Voltage:500V rms @ sea level
 Insulation Resistance:5000 Ohms min
 Temperature Range:-65°C TO +165°C
 Relative Temperature:≤95%(40° C±2° C)
 Drawings products are in line with ROHS standards

NOTE:		Tolerance	0-6 ±0.10 6-30 ±0.20 30-120 ±0.30 Angular ±2°
DRAWN	2016/05/19	View	
CHECKED		UNIT	MM
APPROVALS	19/05.2016	SCALE	1:1
John Kine			



C	INSULATOR	TEFLON	NONE	1	APPROVALS John Kine	19/05.2016	SCALE 1:1	DateTime 2016/5/19	CAD FILE D/company drawings/BD	SHEET: 1 OF 1
B	CONTACT PLATING	BRASS	GOLD	1						
A	BODY	BRASS	NICKEL	1						
NO	DESCRIPTION	MATERIAL	FINISHED	QTY						

Name: BNC JACK CONNECTOR	
SIZE A	Product NO. RENHOTEC-610-0024
	REV B