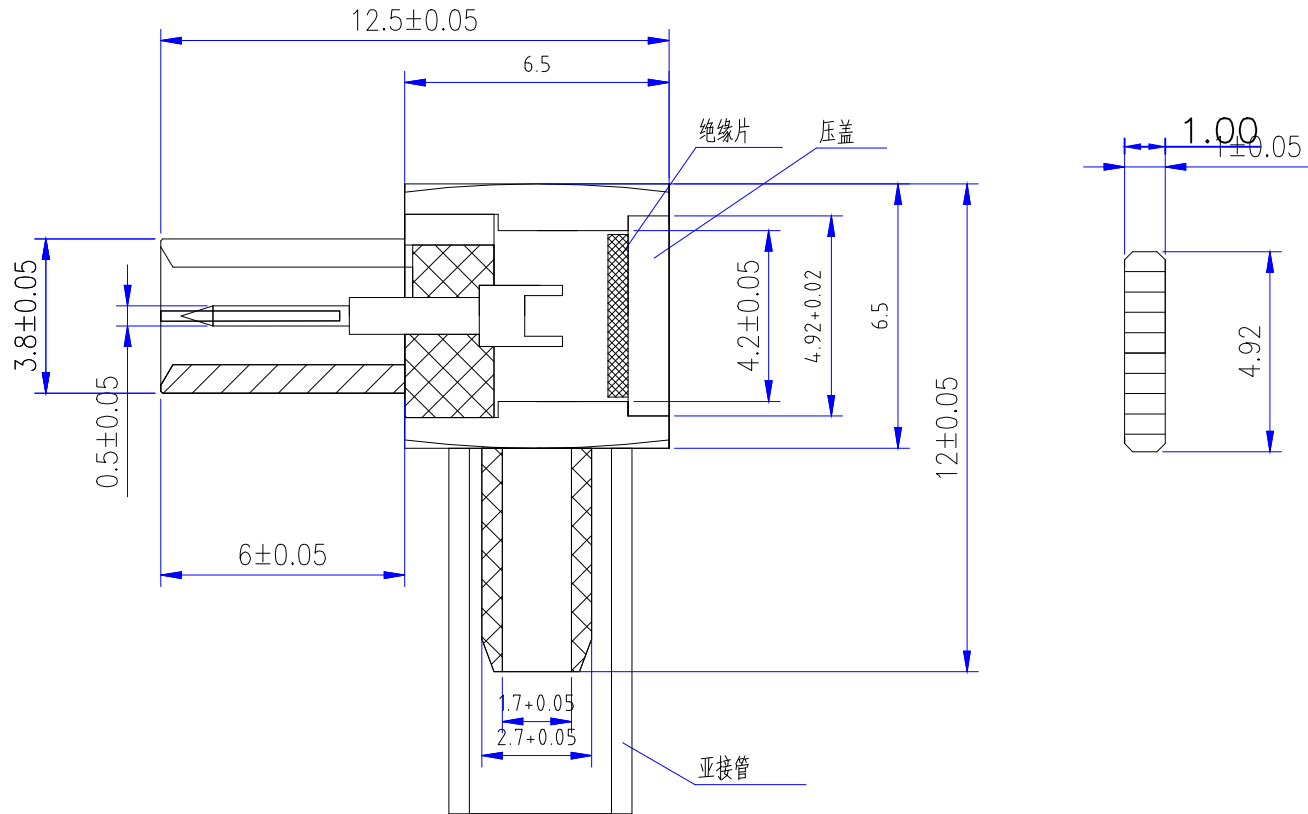




PRODUCT NO:		DS901MCS0002		
REV	DESCRIPTION	DWN	DATE	APPROVEN
A	FIRST ISSUE	CHEN	2021/08/31	John kine
B				



1	BODY	BRASS	NICKEL	1
2	INSULATOR	TEFION	WHITE	1
3	CONTACT PIN	BRASS	GOLD	1
4	CONTACT HEAD	PHOSPHOR COPPER	GOLD	1
5	DRESSUYE CAP	BRASS	NICKEL	1
6	COPPER TUBE	BRASS	NICKEL	1
7				
8				
9				
10				
NO	COMPONENT NUMBER	MATERIAL	FINISH	QTY

NOTE:	
DRAWN	CHEN 2021/08/31
CHECKED	
APPROVALS	

TOIERANCE	UNLESS OTHERWISE SPECIFIED TOLERANCES FOR INCHES ARE 0.5-8MM±0.020MM 8-30MM±0.40MM 30-120MM±0.50MM
VIEW	
UNIT	MM
SCALE	1 : 1

DOSIN INDUSTRIAL(HK)CO.,LTD 东莞市德索五金电子有限公司 Dongguan Dosin Hardware Electronics Co.,Ltd.		Web: http://www.dosinconn.com dosin2005@dosin-china.com E-mail: dosin2005@163.com Tel: (0086)769-81153906 Fax: (0086)769-81875836
NAME: TS9 PLUG FOR RG316 RG174 CABLE		
SIZE	PRODUCT NO: DS901MCS0002	REV
A		A
DATE TIME 2021/08/31		CAD FILE H/companydrawings/BD
		SHEET: 1 OF 1