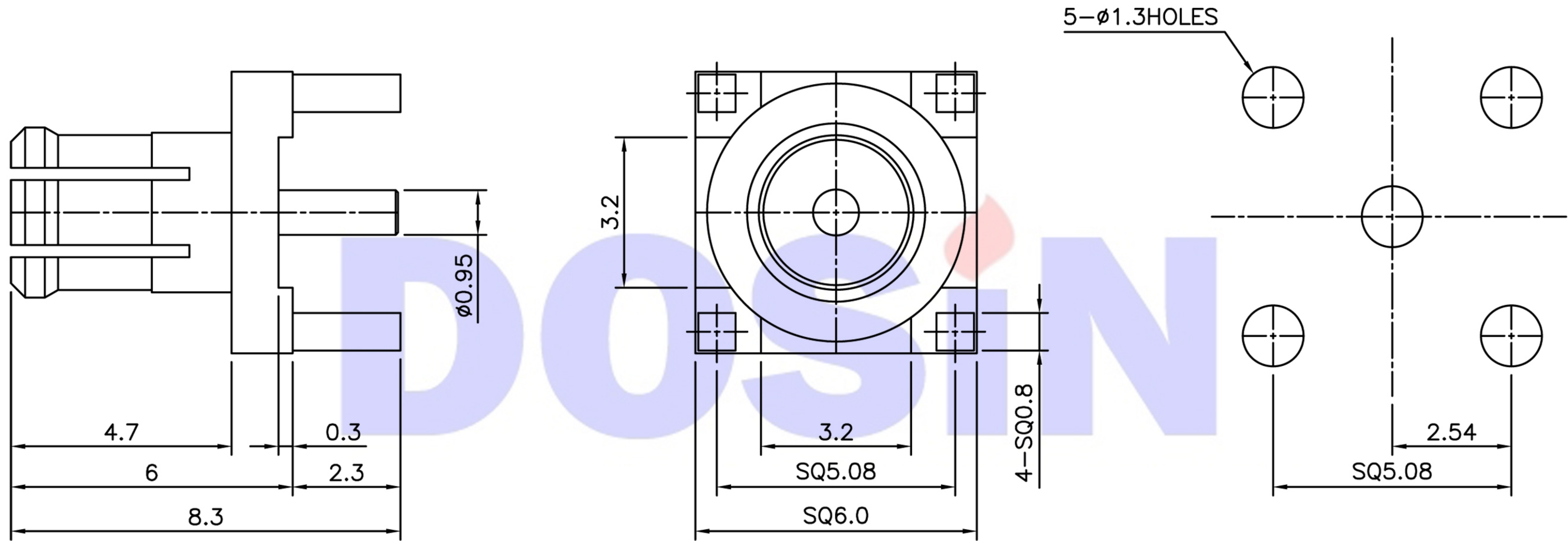




Product NO. DOSIN-809-1026

REV	DESCRIPTION	DWN	DATE	APPROVEN
A	First issue	JIM	2017. 3. 9	John kine



Item	Materials	Plating
Body	Brass	Gold Plated
Center contact	Brass	Gold Plated
Insulator	PTFE	-

NOTE:		Tolerance	0-6	± 0.05
DRAWN Zelin. Zhang			6-30	± 0.10
2017. 3. 9			30-120	± 0.20
CHECKED			Angular	$\pm 2^\circ$
APPROVALS John		View		
		UNIT	MM	
		SCALE	1:1	



Dosin Industrial(H.K)Co.Ltd
 东莞市德索五金电子制品有限公司
Dosin Hardware Electronics Co.,Ltd

E-mail:dosin2005@163.com
 dosin2005@dosin-china.com
 Web:http://www.dosinconn.com
 TEL:(0086)769-81153906
 FAX:(0086)769-81875836

Name: MCX Straight Plug PCB		DateTime 2017. 3. 9		CAD FILE D/company drawings/BD	SHEET: 1 OF 1
SIZE A	Product NO. DOSIN-809-1026	REV B			