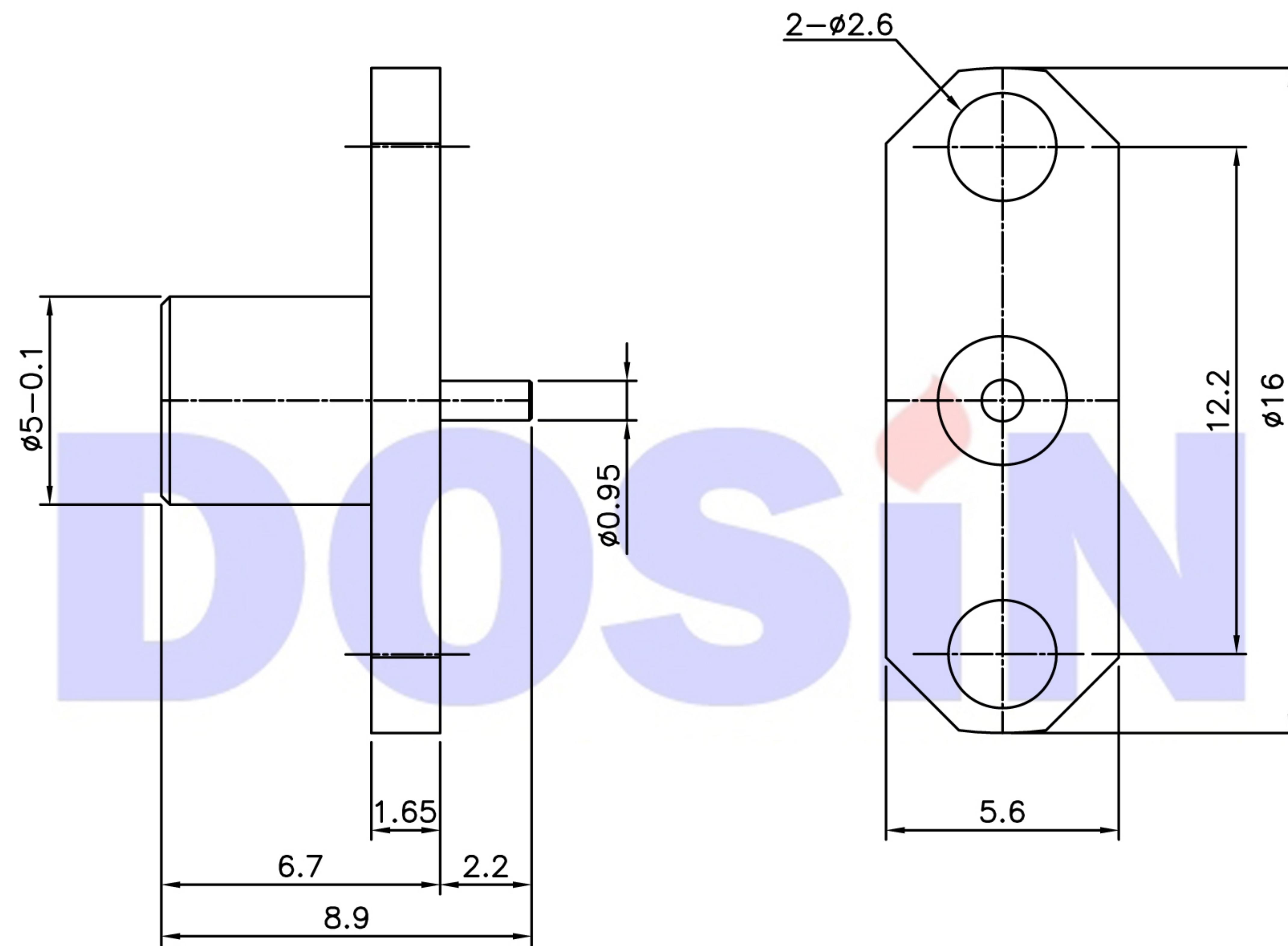




Product NO. DOSIN-809-1019

REV	DESCRIPTION	DWN	DATE	APPROVEN
A	First issue	JIM	2017. 3. 9	John kine



Item	Materials	Plating
Body	Brass	Gold Plated
Center contact	Be-Cu	Gold Plated
Insulator	PTFE	-

NOTE:		Tolerance	0-6 ± 0.05	Dosin Industrial(H.K)Co.Ltd 东莞市德索五金电子制品有限公司 Dosin Hardware Electronics Co.,Ltd	<i>E-mail: dosin2005@163.com</i> <i>dosin2005@dosin-china.com</i> <i>Web: http://www.dosinconn.com</i> <i>TEL: (0086) 769-81153906</i> <i>FAX: (0086) 769-81875836</i>	
6-30 ± 0.10	30-120 ± 0.20		Angular $\pm 2^\circ$		Name: MCX 2 Hole Flange Mount Jack Receptacle	
DRAWN Zelin. Zhang	2017. 3. 9	View		SIZE A	Product NO. DOSIN-809-1019	REV B
CHECKED		UNIT	MM	DateTime 2017. 3. 9	CAD FILE D/company drawings/BD	SHEET: 1 OF 1
APPROVALS John		SCALE	1:1			