

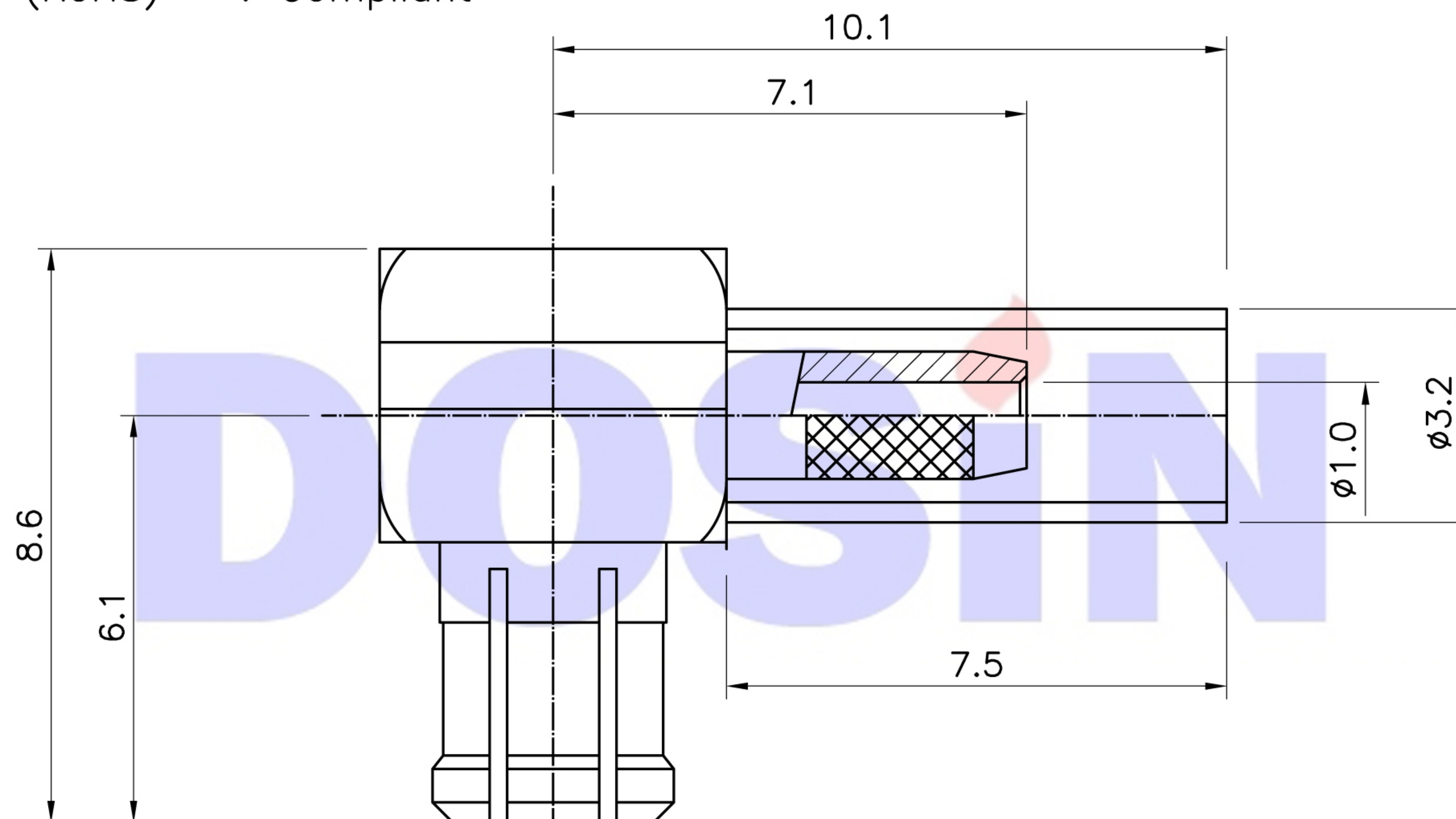


SPECIFICATIONS

Impedance ; 50ohm
 Frequency ; DC~6GHz
 Temperature range : -55°C to +155°C
 2002/95/EC (RoHS) : Compliant

Product NO. DOSIN-809-1014

REV	DESCRIPTION	DWN	DATE	APPROVEN
A	First issue	JIM	2017. 3. 9	John kine



Item	Materials	Plating
Body	Brass	Gold Plated
Outer contact	Be-Cu	Gold Plated
Center contact	Brass	Gold Plated
Ferrule	Brass	Gold Plated
Insulator	TEFLON	-

NOTE:		Tolerance	0-6 ±0.05
DRAWN Zelin. Zhang 2017. 3. 9			6-30 ±0.10
CHECKED		View	30-120 ±0.20
			Angular ±2°
APPROVALS John		UNIT	MM
		SCALE	1:1

DOSIN -RF CONNECTOR **Dosin Industrial(H.K)Co.Ltd**
 东莞市德索五金电子制品有限公司
Dosin Hardware Electronics Co.,Ltd
 E-mail:dosin2005@163.com
 dosin2005@dosin-china.com
 Web:http://www.dosinconn.com
 TEL:(0086)769-81153906
 FAX:(0086)769-81875836

Name: MCX R/A Plug for Cable-RG178

SIZE A	Product NO. DOSIN-809-1014	REV B
DateTime 2017. 3. 9	CAD FILE D/company drawings/BD	SHEET: 1 OF 1