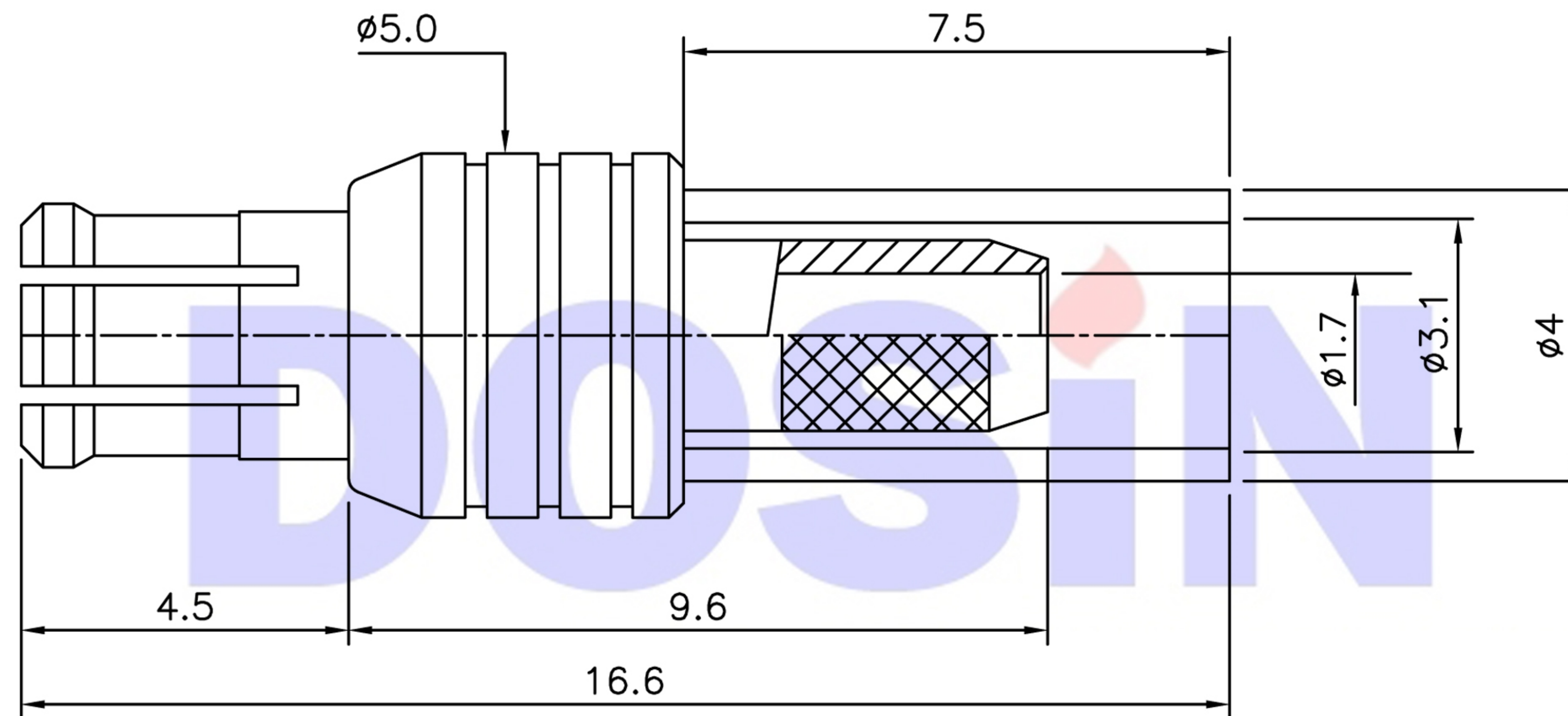




Product NO. DOSIN-809-1009

REV	DESCRIPTION	DWN	DATE	APPROVEN
A	First issue	JIM	2017.3.9	John kine



Item	Materials	Plating
Body	Brass	Gold Plated
Outner contact	Be-Cu	Gold Plated
Center contact	Brass	Gold Plated
Ferrule	Brass	Gold Plated
Insulator	TEFLON	-

NOTE:		Tolerance	0-6	±0.05
DRAWN Zelin. Zhang			6-30	±0.10
CHECKED		View	30-120	±0.20
APPROVALS John			Angular	±2°
		UNIT	MM	
		SCALE	1:1	



Dosin Industrial(H.K)Co.Ltd

东莞市德索五金电子制品有限公司

Dosin Hardware Electronics Co.,Ltd

E-mail:dosin2005@163.com

dosin2005@dosin-china.com

Web:http://www.dosinconn.com

TEL:(0086)769-81153906

FAX:(0086)769-81875836

Name: MCX Straight Plug for Cable-RG316S, 174, 188

SIZE A	Product NO. DOSIN-809-1009	REV B
-----------	----------------------------	----------

DateTime 2017.3.9	CAD FILE D/company drawings/BD	SHEET: 1 OF 1
----------------------	-----------------------------------	---------------