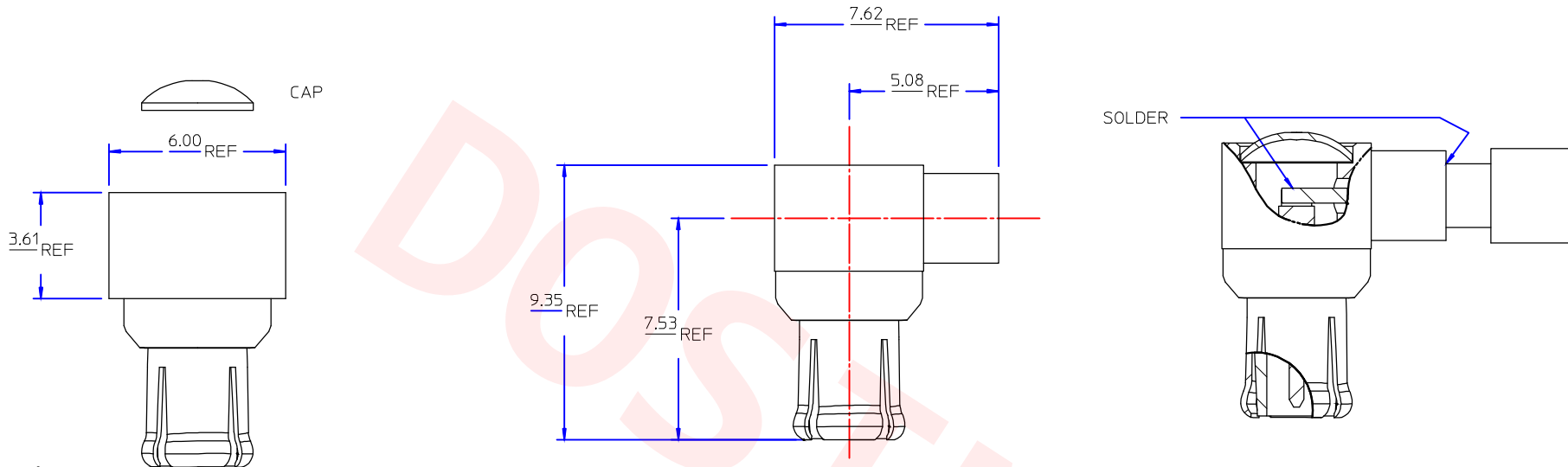


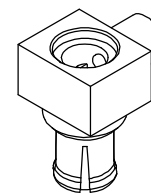


| | | | | |
|-------------|-------------|----------------|------------|-----------|
| Product NO. | | DOSIN-809-0015 | | |
| REV | DESCRIPTION | DWN | DATE | APPROVEN |
| A | First issue | Mr. CHEN | 2014/03/28 | John kine |
| B | | | | |



Specifications

Impedance: 50 Ohms
 Frequency Range: 0~6Ghz
 VSWR: 1.25max
 Working Voltage: <170 V rms @ sea level
 Insulation Resistance: 5000 Ohms min
 Temperature Range: -65°C TO +165°C
 Drawings products are in line with ROHS standards



| | | | | |
|----|------------------|----------|--------|-----|
| 1 | Body | Brass | GOLD | 1 |
| 2 | Insulation | Teflon | White | 1 |
| 3 | Pin | Brass | GOLD | 1 |
| 4 | | | | |
| 5 | | | | |
| 6 | | | | |
| 7 | | | | |
| 8 | | | | |
| 9 | | | | |
| 10 | | | | |
| NO | Component Number | Material | Finish | QTY |

| | | | | |
|------------|--|-----------|---------|-------|
| NOTE: | | Tolerance | X. | ±0.10 |
| | | | X.X | ±0.08 |
| | | View | X.XX | ±0.05 |
| | | | Angular | ±5° |
| DRAWN | | UNIT | MM | |
| Zelin.chen | | | SCALE | 1:1 |
| CHECKED | | APPROVALS | | |
| | | John | | |

| | | | |
|--|-----------------------|--|-----|
| Dosin Industrial(H.K)Co.Ltd 东莞市德索五金电子制品有限公司 Dosin Hardware Electronics Co.,Ltd | | E-mail: dosin2005@163.com dosin2005@dosin-china.com Web: http://www.china-guan.com TEL: (0086)769-81153906 FAX: (0086)769-81875836 | |
| Name: MCX PLUG R/A | | | |
| SIZE | Product NO. | DOSIN-809-0015 | REV |
| A | | | B |
| DateTime | CAD FILE | SHEET: 1 OF 1 | |
| 2014/03/28 | D/company drawings/BD | | |