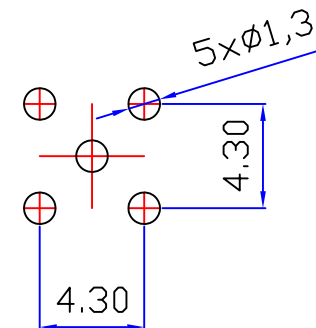
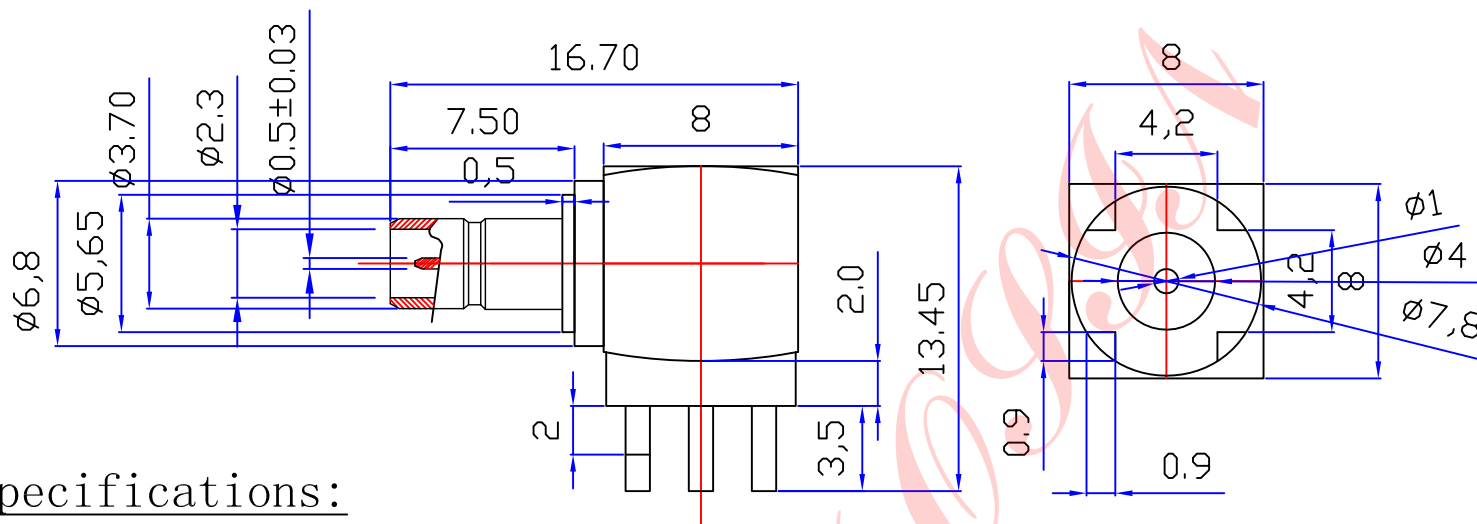




Customer NO:		DOSIN-807-0035		
REV	DESCRIPTION	DWN	DATE	APPROVEN
A	First issue	Mr. CHEN	2016/12/16	John kine
B				



### Specifications:

- IMPEDANCE: 75 Ohms
- Frequency range: 0~6GHz
- VSWR: 1.5MAX
- Working voltage: 500V rms @ sea level
- Insulation resistance: 5000 Ohms min
- Temperature range: -65°C TO +165°C
- Relative temperature:  $\leq 95\%$  ( $40^\circ \text{C} \pm 2^\circ \text{C}$ )

NOTE:

DRAWN  
Zelin. CHEN

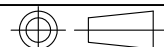
CHECKED

APPROVALS  
John

Tolerance

X.	$\pm 0.15$
X.X	$\pm 0.10$
X.XX	$\pm 0.05$
Angular	$\pm 5^\circ$

View



UNIT

MM

SCALE

1:1



Dosin Industrial (HK) Co. Ltd

东莞市德索五金电子制品有限公司

Dosin Hardware Electronics Co., Ltd

E-mail: dosin2005@163.com  
dosin2005@dosin-china.com  
Web: http://www.dosinconn.com  
TEL: (0086) 769-81153906  
FAX: (0086) 769-81875836

Name: SMB JACK FOR PCB CONNECTOR

SIZE	Product NO.	DOSIN-807-0035	REV	A
------	-------------	----------------	-----	---

DateTime	CAD FILE	SHEET: 1 OF 1
2016/12/16	H/company drawings/BD	

8				
7				
6				
5				
4				
3	CONTACT PIN	BRASS	GOLD	1
2	INSULATOR	TEFLON	WHITE	1
1	BODY	BRASS	GOLD	1
	DESCRIPTION	MATERIAL	FINISH	qTY