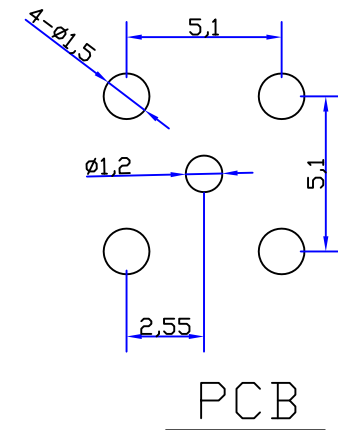
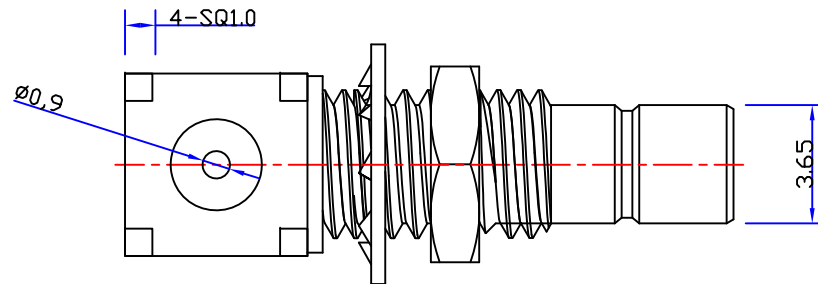
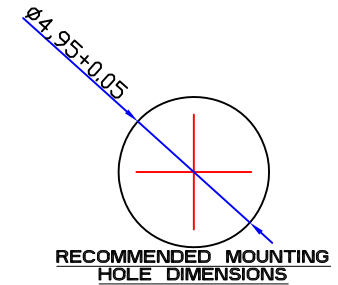


Product NO.		DOSIN-807-0006	
REV	DESCRIPTION	DWN	DATE
A	First issue	Zelin. Zhang	2012/04/05
B			



- NOTES:
- MATERIALS AND FINISHES:
 BODY - BRASS, GOLD PLATING
 CUBE BODY - BRASS, TIN PLATING
 CONTACT - BRASS, GOLD PLATING
 INSULATOR - PTFE
 - MECHANICAL:
 A. DURABILITY: 500 CYCLES MIN.
 B. TEMPERATURE RANGE: -65° C TO +165° C
 - PACKAGING:
 A. QUANTITY: SINGLE PACK
 B. MARKING: BAG TO BE MARKED
 "AMPHENOLRF 903-413J-51A, AND DATE CODE"

1	Body	Brass	Gold:1-1.5Mi"	NOTE:	Tolerance	X.	±0.25	Dosing Industrial (H.K) Co. Ltd 东莞市德索五金电子制品有限公司 Dosing Hardware Electronics Co., Ltd	E-mail:dosing2005@163.com
2	Center contact	Brass	GOLD:1-1.5Mi			X.X	±0.30		dosing2005@dosing-china.com
3	Insulator	PTFE	White			X.XX	±0.20		Web:http://www.dosingconn.com
4					ANGULAR	±5°	TEL: (0086) 769-81153906	FAX: (0086) 769-81875836	
5				DRAWN	2012/04/	View	Name:	SMB 母头公针	
6				MR. ZHANG	05				
7				CHECKED		UNIT	MM	SIZE	Product NO.
8				APPROVALS	06/04.2012	SCALE	1:1	A	DOSIN-807-0006
9				John Kine		DateTime	2012/04/05	CAD FILE	D/company drawings/BD
10	Component Number	Material	Finish						SHEET: 1 OF 1